

SINGER

7100 Series

SUPPLEMENTAL LIST OF PARTS :

SO-FRO MACHINES

This List of Parts must be used in conjunction
with Form 1004 of 7100 series.

4305 SO-FRO

Note : Since 4305 SO-FRO is equivalent to 7184 model, the reference and part numbers listed below are to be used in place of parts enumerated on List of Parts for 7184 Machine.
(Refer to FORM 1004).

PART No.	PART DESCRIPTION	Parts to be replaced on List of Parts for 7184 Machine		
		PART No.	PAGE	REF. No.
422097-453	ARM FRONT COVER CPL.	422097-451	5	12
353078-453	CONTROL DIAL CPL.	353078-451	25	24
445307-463	FEED REGULATOR PIN KNOB	445307-451	25	26
422258-456	PRESSURE REGULATING KNOB	422258-452	17	2
422213-452	CONTROL LEVER KNOB	422213-451	29	33
353172-453	ARM TOP COVER WITH INSERT	353172-452	7	20a
422402-463	TENSION INDICATOR	422402-452	17	33
421739-452	TENSION SPRING CUP	421739-456	17	29
353173-453	ARM TOP COVER CPL.	353173-452		
FORM 1008	INSTRUCTION BOOK	FORM 1094		

4314 SO-FRO

Note: Since 4314* SO-FRO is equivalent to 7136 model, the reference and part numbers listed below are to be used in place of parts enumerated on List of Parts for 7136 Machine. (Refer to FORM 1004).

PART No.	PART DESCRIPTION	Part to be replaced on List of Parts for 7136 Machine		
		PART No.	PAGE	REF. No.
422283-454	ARM FRONT COVER CPL.	422283-451	5	14
421938-458	CONTROL DIAL RING	421938-454	25	13
447811-451	REVERSE FEED PUSH BUTTON	421933-452	25	17
422258-455	PRESSURE REGULATING KNOB	422258-454	17	2
422292-452	ARM TOP COVER WITH INSERT	422290-451	7	21
422402-453	TENSION INDICATOR	422402-452	17	33
421739-452	TENSION SPRING CUP	421739-456	17	29
422403-461	TENSION CPL.	422403-455	17	23
422295-931	ARM TOP COVER CPL.	422293-001		
FORM 1009	INSTRUCTION BOOK	FORM 1071		
	<p>* Since 4314 is equipped with a motor carbon pile speed controller, for electric components (motor, foot controller, cord, light) use the same PART. N° as for 4302 and 4305 models.</p>			

Note : Since 4302 SC-FRO is equivalent to 7102 model, the reference and part numbers listed below are to be used in place of parts enumerated on List of Parts for 7102 Machine.
 (Refer to FORM 1004).

PART No.	PART DESCRIPTION	Part to be replaced on List of Parts for 7102 Machine		
		PART No.	PAGE	REF No.
422268-931	ARM FRONT COVER CPL.	422269-451	5	13
422299-452	CONTROL DIAL CPL.	422299-451	23	16
447829-451	REVERSE FEED PUSH BUTTON	422239-451	23	18
422258-457	PRESSURE REGULATING KNOB	422258-451	17	2
422213-452	CONTROL LEVER KNOB	422213-451	29	33
422275-453	ARM TOP COVER WITH INSERT	422275-451	7	19
422402-463	TENSION INDICATOR	422402-452	17	33
421739-452	TENSION SPRING CUP	421739-456	17	29
422276-932	ARM TOP COVER CPL.	422276-451		
FORM 1007	INSTRUCTION BOOK	FORM 1021		

SINGER

SINGER FACTORY

MONZA

List of Parts

Sewing Machines Series

7100

* Copyright © 1982 THE SINGER COMPANY
All Rights Reserved Throughout the World

* A Trademark of THE SINGER COMPANY

FORM 1004 (685)

contents

MECHANISM GROUP NO.		PAGE
1	FRONT, BACK and SIDES COVERS	4,8
	TOP COVER	6,8
	MACHINE BASE and CLOTH PLATE	10
2	NEEDLE BAR and DRIVE MECHANISM	12
	NEEDLE HOOK and PLATES	14
	PRESSURE BAR and TENSION	16
3	FEED and HOOK DRIVE MECHANISM (Tubular Bed)	18
	FEED and HOOK DRIVE MECHANISM (Flat Bed)	20
4	STITCH LENGTH and REVERSE MECHANISM	22
	BUTTONHOLER, FEED REGULATOR and CAM CONTROL FEED ENGAGING MECHANISM	24
	CAM CONTROL FEED and STITCH BALANCING MECHANISM	26
5	BIGHT AMPLITUDE and NEEDLE POSITION SELECTORS	28
	CAM STACK and PATTERN SELECTOR	30, 32
6	ATTACHMENTS	34
	MACHINE CARRYING CASE and BOTTOM COVER	36
7	ELECTRICS	38

Stabilimento Industriale SINGER
Viale Sicilia, 75
20052 MONZA (Italy)

Phone: (039) 839001-9
Telex: Pyecom 333301

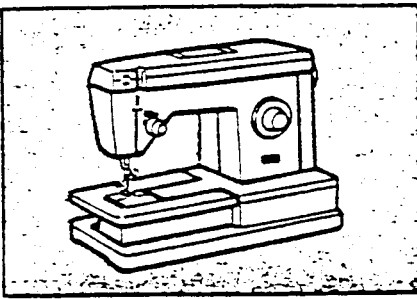
Printed in Italy

FORM 1004 (685)

contents

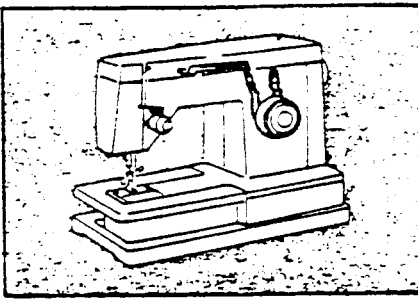
Group

1

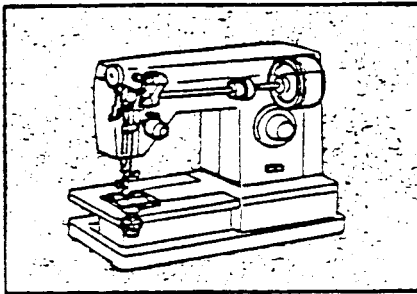


Group

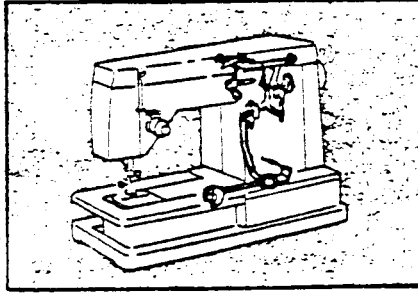
4



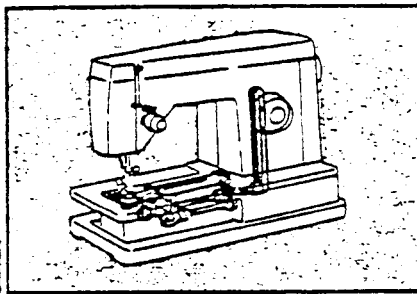
2



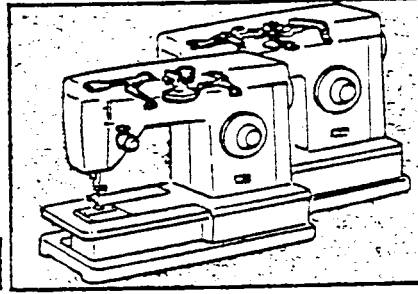
4



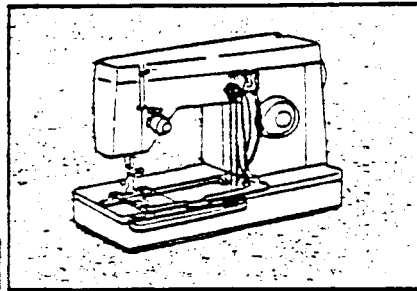
3



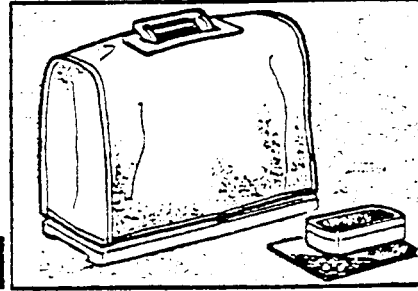
5



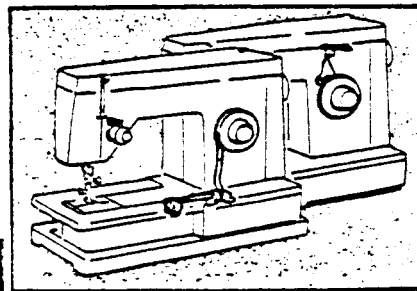
3



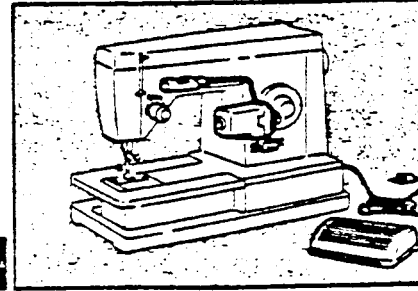
6



4



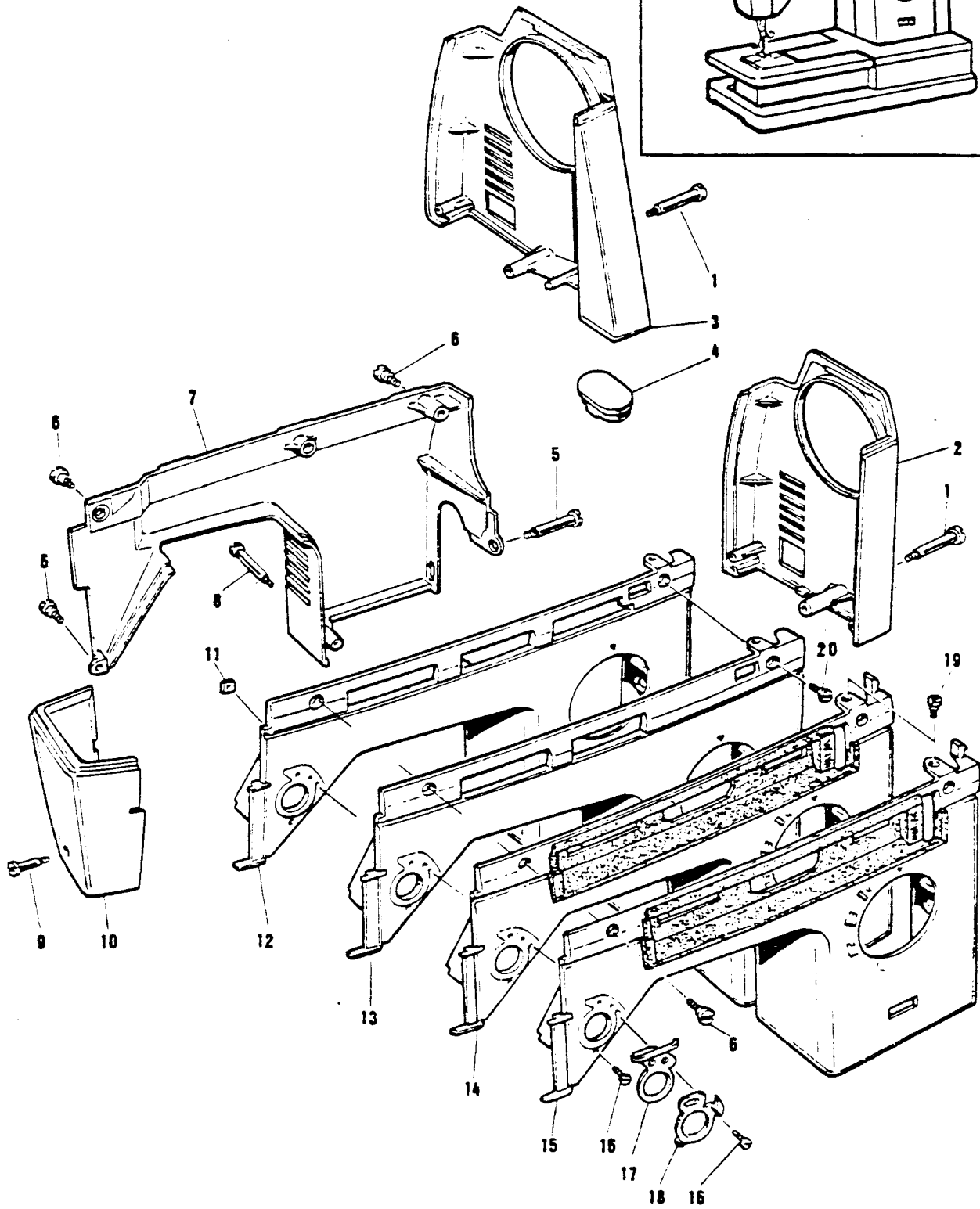
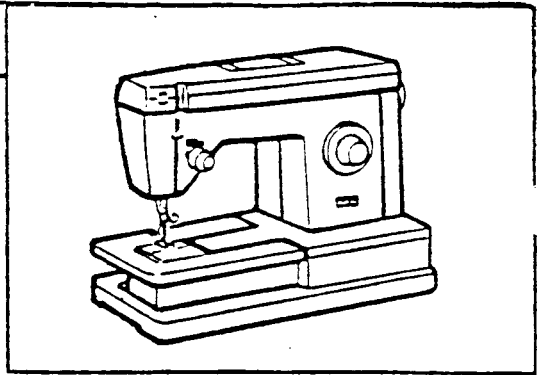
7



From the library of: Diamond Needle Corp

1

7100 series



From the library of: Diamond Needle Corp

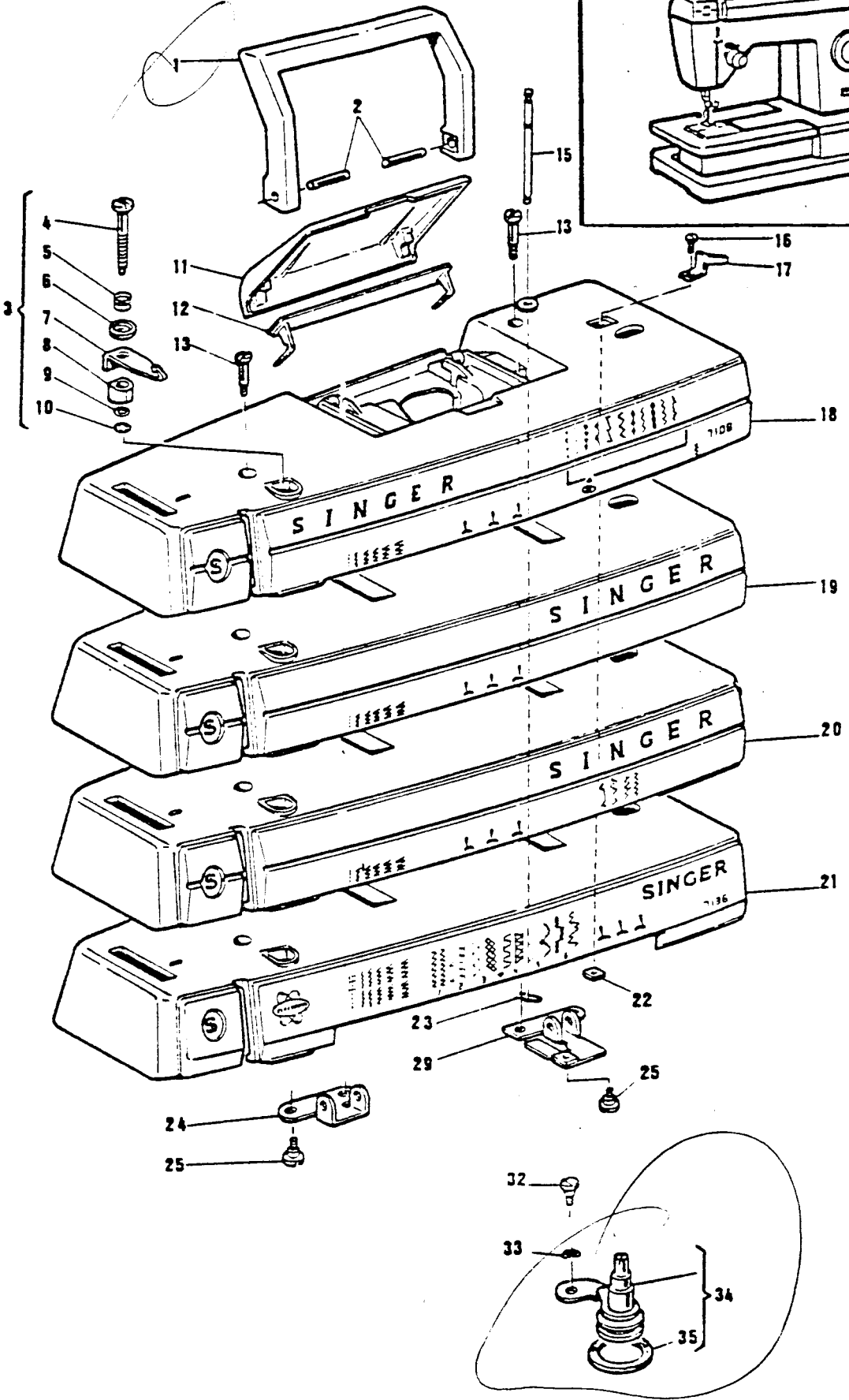
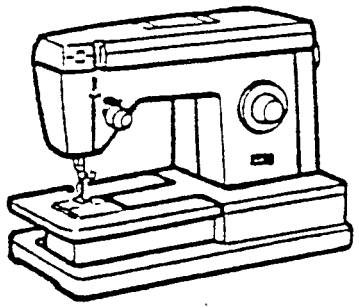
LIST OF PARTS FOR MACHINES 7100 SERIES

REF. N.	PART. N.	7184	7174	7186	7146	7136	7110	7105	7102	7101	7108	PART DESCRIPTION
1	354655-451	X	X	X	X	X	X	X	X	X	X	Arm cover screw
2	352498-451	X	X	X	X	X	X	X	X	X	X	Arm cover (hand wheel side)
3	352600-451		X	X						X	X	Arm cover (hand wheel side)- <u>treadle machine only</u>
4	352885-451		X	X						X	X	Treadle bed insert
5	354659-451	X	X	X	X	X	X	X	X	X	X	Screw
6	139910	X	X	X	X	X	X	X	X	X	X	Screw
7	352494-451	X	X	X	X	X	X	X	X	X	X	Arm cover (back)
8	354252	X	X	X	X	X	X	X	X	X	X	Screw
9	354662-451	X	X	X	X	X	X	X	X	X	X	Face plate screw
10	352519-451	X	X	X	X	X	X	X	X	X	X	Face plate
11	53640	X	X	X	X	X	X	X	X	X	X	Nut
12	422097-451	X	X								X	Arm front cover cpl.
13	422269-451								X	X		Arm front cover cpl.
14	422283-451					X						Arm front cover cpl.
15	422283-452				X							Arm front cover cpl.
16	141808	X	X	X	X	X	X	X	X	X	X	Screw
17	446958	X	X	X	X	X	X	X	X	X	X	Thread guide (upper)
18	44392	X	X	X	X	X	X	X	X	X	X	Tension thread guide
19	421720			X	X	X	X	X				Screw
20	139910	X	X						X	X	X	Screw

From the library of: Diamond Needle Corp

1

7100 series



From the library of: Diamond Needle Corp

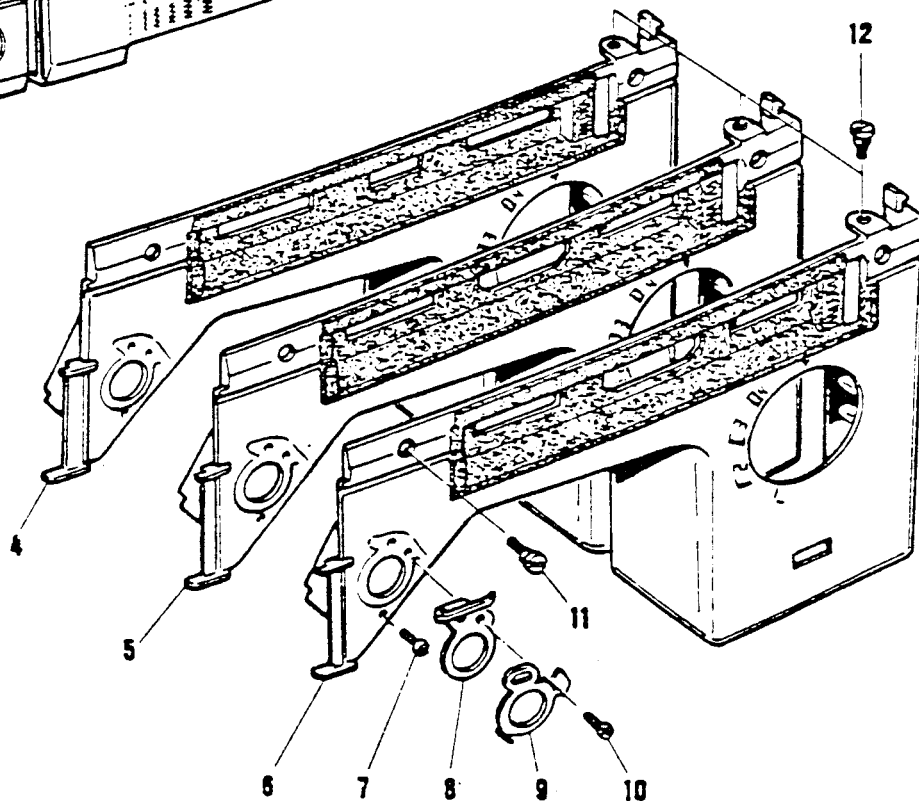
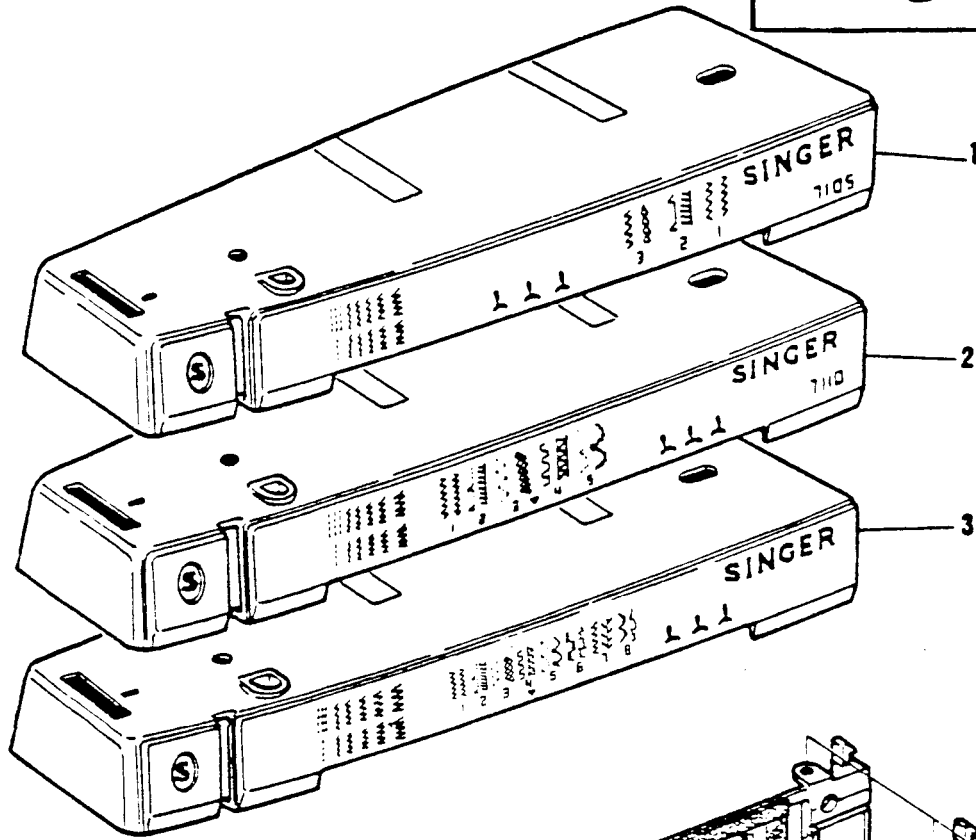
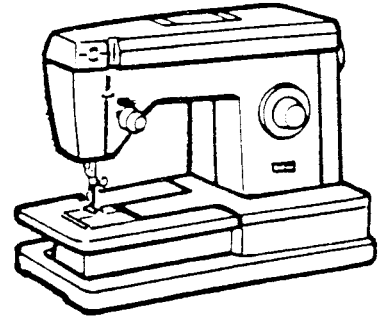
LIST OF PARTS FOR MACHINES 7100 SERIES

REF. N.	PART. N.	7184	7174	7186	7146	7136	7110	7105	7102	7101	7108	PART DESCRIPTION
1	352926-451			X	X						X	Machine handle
	352926-452	X	X						X	X		Machine handle
	352926-454					X	X	X				Machine handle
2	352931	X	X	X	X	X	X	X	X	X	X	Machine handle hinge pin
3	352515-451	X	X						X	X		Bobbin winder tension cpl.
	352515-452			X	X						X	Bobbin winder tension cpl.
	352515-454					X	X	X				Bobbin winder tension stud
4	44751	X	X	X	X	X	X	X	X	X	X	Bobbin winder tension stud
5	45847	X	X	X	X	X	X	X	X	X	X	Bobbin winder tension disc spring
6	45915	X	X	X	X	X	X	X	X	X	X	Bobbin winder tension disc
7	352514	X	X	X	X	X	X	X	X	X	X	Tension bracket and thread guide
8	44770-455			X	X				X	X		Tension bracket spacer
	44770-456	X	X								X	Tension bracket spacer
	44770-457					X	X	X				Tension bracket spacer
9	352737	X	X	X	X	X	X	X	X	X	X	Tension stud washer
10	44447	X	X	X	X	X	X	X	X	X	X	Tension stud retaining ring
11	352923-452										X	Arm top cover lid
12	352924-452										X	Arm top cover lid spring
13	141788	X	X	X	X	X	X	X	X	X	X	Arm top cover screw (2)
15	44998-452	X	X	X	X	X	X	X	X	X	X	Arm top cover spool pin (retractable)
16	141808	X	X	X	X	X	X	X	X	X	X	Bobbin winder stop screw
17	44365	X	X	X	X	X	X	X	X	X	X	Bobbin winder stop
18	422094-451										X	Arm top cover
19	422275-451								X			Arm top cover
19a	422273-451									X		Arm top cover
20	353172-451		X									Arm top cover
20a	353172-452	X										Arm top cover
21	422290-451					X						Arm top cover
22	53640	X	X	X	X	X	X	X	X	X	X	Bobbin winder stop screw nut
23	45000	X	X	X	X	X	X	X	X	X	X	Arm top cover spool pin retaining
24	352927	X	X	X	X	X	X	X	X	X	X	Machine handle mounting bracket (left)
25	113418-451	X	X	X	X	X	X	X	X	X	X	Screw
29	352929	X	X	X	X	X	X	X	X	X	X	Machine handle mounting bracket (right)
32	422025-451	X	X	X	X	X	X	X	X	X	X	Bobbin winder lever hinge screw
33	353457	X	X	X	X	X	X	X	X	X	X	Washer
34	352513	X	X	X	X	X	X	X	X	X	X	Bobbin winder cpl.
35	15287	X	X	X	X	X	X	X	X	X	X	Bobbin winder

From the library of: Diamond Needle Corp

1

7100 series



From the library of: Diamond Needle Corp

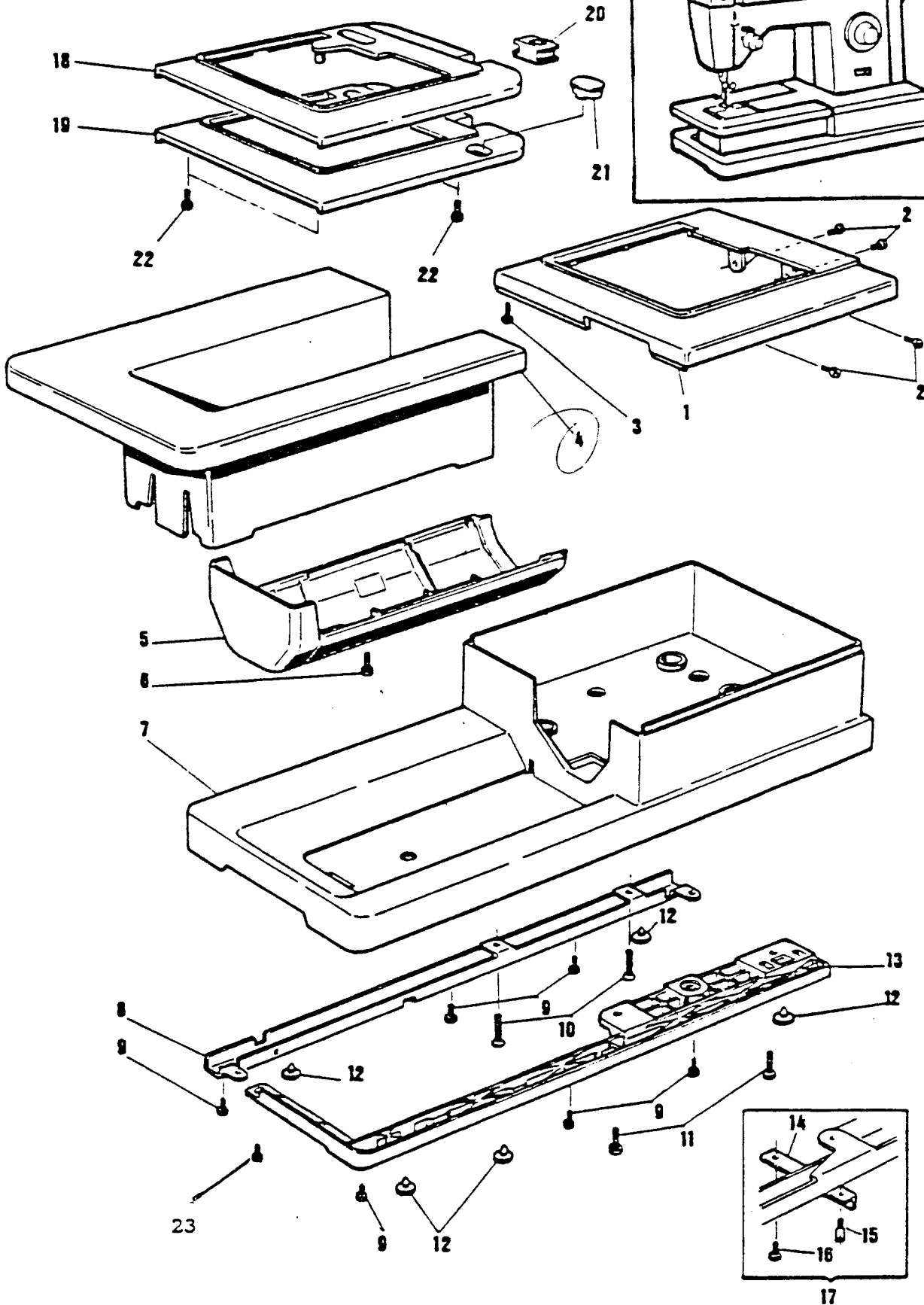
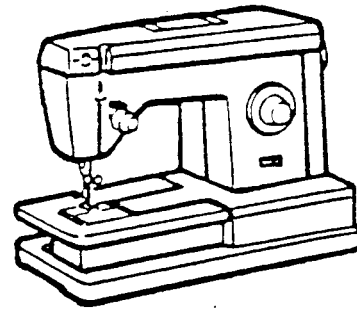
LIST OF PARTS FOR MACHINES 7100 SERIES

REF. Z.	PART. Z.	7184	7174	7186	7146	7136	7110	7105	7102	7101	7108	PART DESCRIPTION
1	422424-451							X				Arm top cover
2	422423-451						X					Arm top cover
3	422493-451			X								Arm top cover
3a	422493-452				X							Arm top cover
4	422430-451							X				Arm front cover cpl.
5	422283-451						X					Arm front cover cpl.
6	422283-452			X								Arm front cover cpl.
7	141808	X	X	X	X	X	X	X	X	X	X	Screw
8	446958	X	X	X	X	X	X	X	X	X	X	Thread guide (upper)
9	44392	X	X	X	X	X	X	X	X	X	X	Tension thread guide
10	141808	X	X	X	X	X	X	X	X	X	X	Screw
11	139910	X	X	X	X	X	X	X	X	X	X	Screw
12	421720			X	X	X	X	X				Screw

From the library of: Diamond Needle Corp

1

7100 series



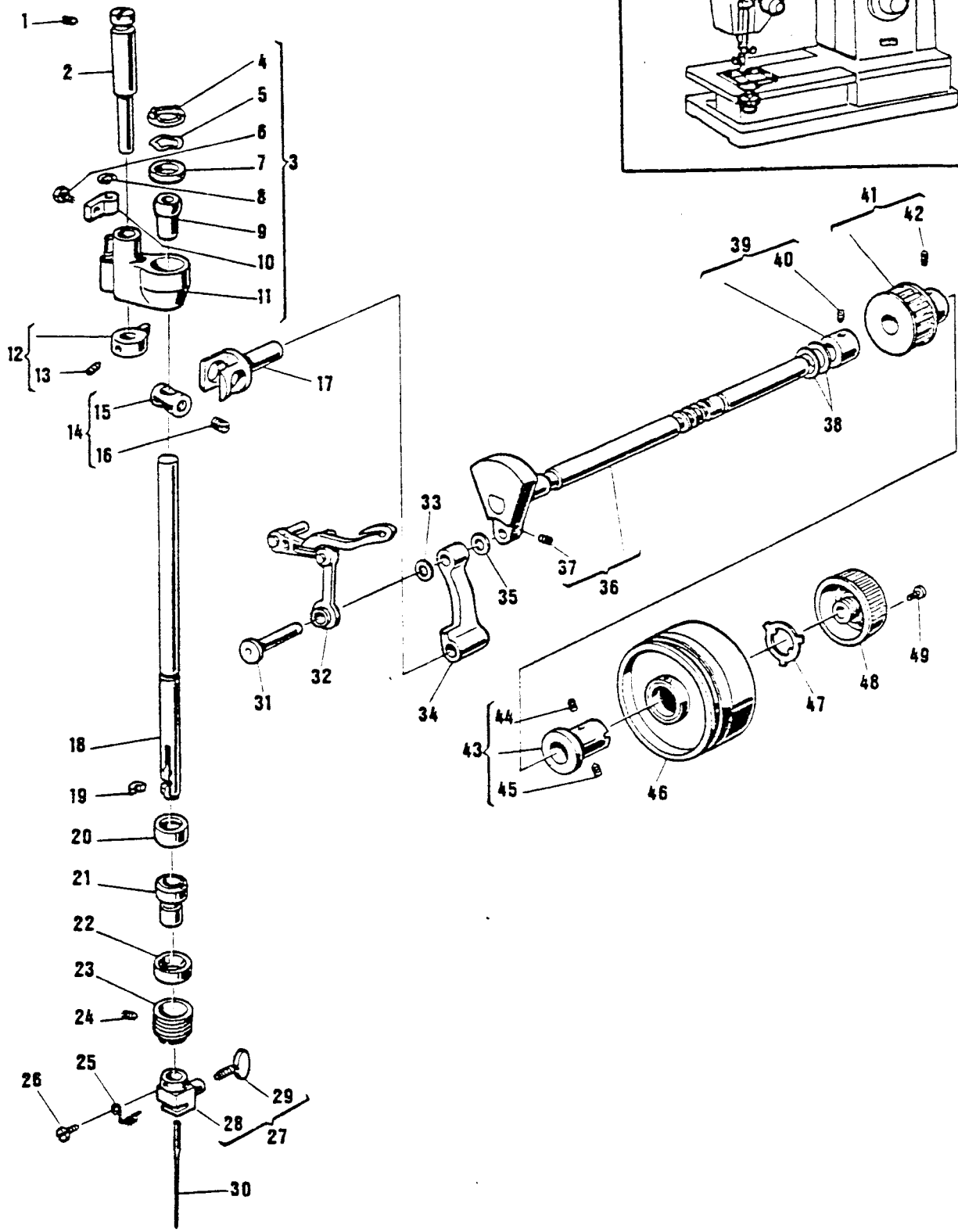
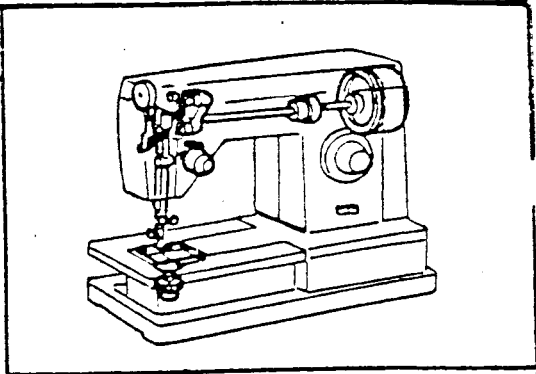
From the library of: Diamond Needle Corp

LIST OF PARTS FOR MACHINES 7100 SERIES

REF. N.	PART. N.	7184	7174	7186	7146	7136	7110	7105	7102	7101	7108	PART DESCRIPTION
1	421656-452	X			X	X	X	X	X			Bed cover
2	139910	X			X	X	X	X	X			Bed cover screw (4)
3	139986	X			X	X	X	X	X			Bed cover screw (1)
4	421657	X			X	X	X	X	X			Cloth plate
5	352839-451	X			X	X	X	X	X			Bed cover (tubular)
6	514690-451	X			X	X	X	X	X			Bed cover (tubular) screw
7	421655-452	X			X	X	X	X	X			Machine base
8	421660	X			X	X	X	X	X			Machine base support back
9	354738-451	X			X	X	X	X	X			Machine support (back and front) screw (8)
10	354790-451	X			X	X	X	X	X			Base support (back) screw (2)
11	354745-451	X			X	X	X	X	X			Base support (front) screw (2)
12	352797	X			X	X	X	X	X			Machine base cushion (5)
13	421736	X			X	X	X	X	X			Machine base support
14	352795	X			X	X	X	X	X			Bracket (for cabinets only)
15	422481-451	X			X	X	X	X	X			Cushion (for cabinets only)
16	354745-451	X			X	X	X	X	X			Bracket screw (for cabinets only)
17	353035	X			X	X	X	X	X			Kit cpl. (for cabinets only)
18	422472-451		X	X						X	X	Bed cover
19	422473-451		X	X						X	X	Bed cover (treadle machine only)
20	352584		X	X						X	X	Grommet
21	352885-451		X	X						X	X	Treadle bed insert
22	139986		X	X						X	X	Bed cover screw (4)
23	421712	X			X	X	X	X	X			Screw

2

7100 series



From the library of: Diamond Needle Corp

2

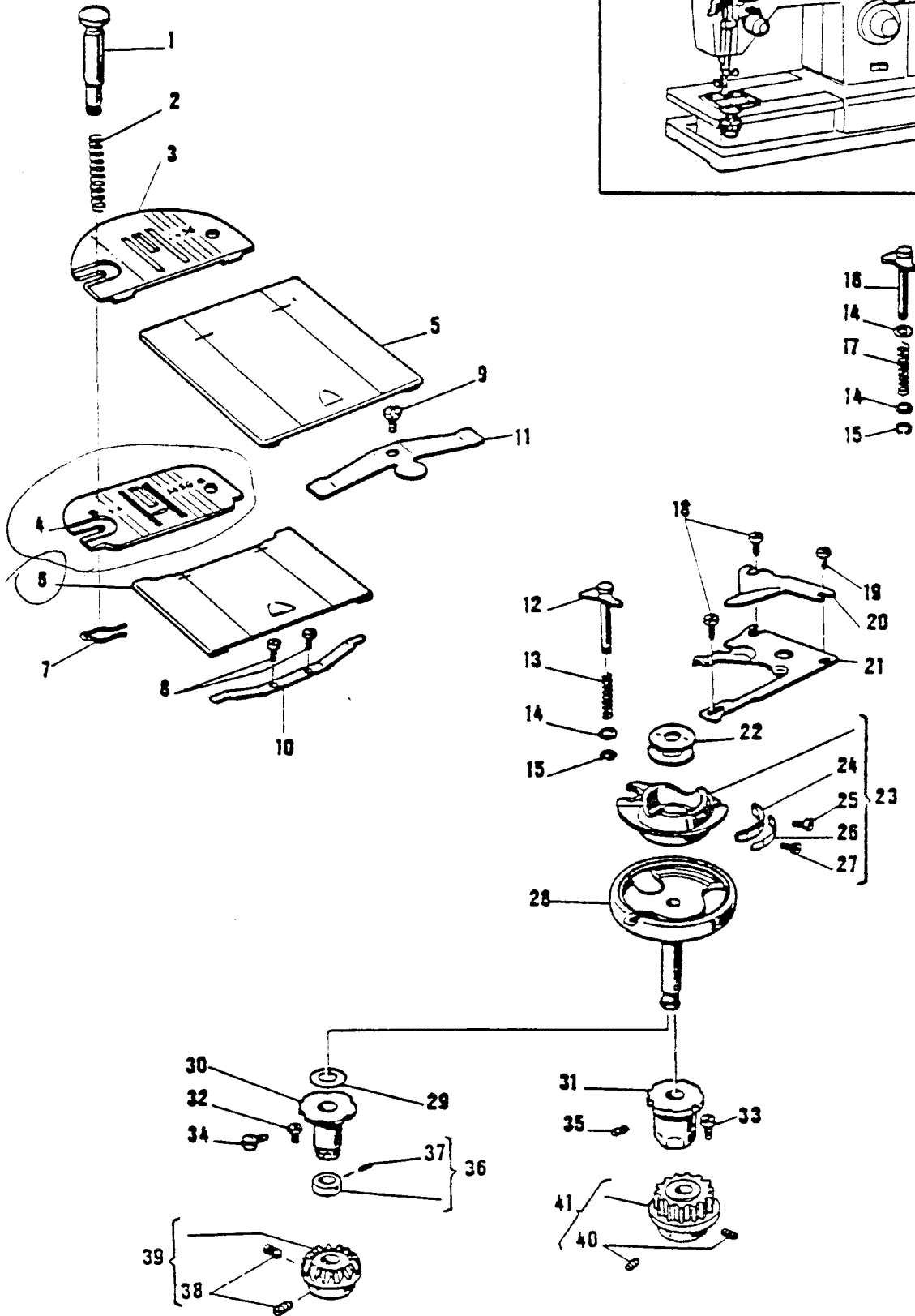
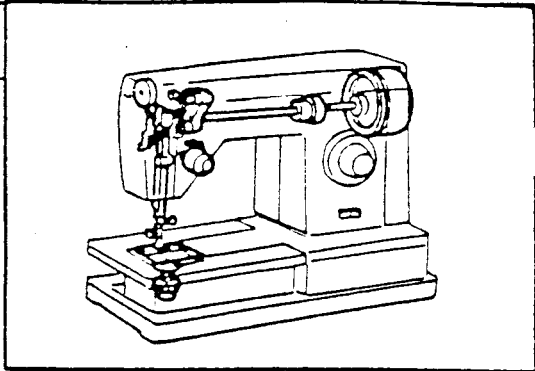
LIST OF PARTS FOR MACHINES 7100 SERIES

REF. N.	PART. N.	7184	7174	7186	7146	7136	7110	7105	7102	7101	7108	PART DESCRIPTION
1	141918	X	X	X	X	X	X	X	X	X	X	Screw
2	445124	X	X	X	X	X	X	X	X	X	X	Hinge pin eccentric
3	422318	X	X	X	X	X	X	X	X	X	X	Needle bar vibrating bracket cpl.
4	422320	X	X	X	X	X	X	X	X	X	X	Retaining ring
5	502354	X	X	X	X	X	X	X	X	X	X	Washer
6	354621-451	X	X	X	X	X	X	X	X	X	X	Screw
7	507379	X	X	X	X	X	X	X	X	X	X	Ball bushing (upper) socket
8	507343	X	X	X	X	X	X	X	X	X	X	Retaining ring
9	37927	X	X	X	X	X	X	X	X	X	X	Ball bushing (upper)
10	37934	X	X	X	X	X	X	X	X	X	X	Bracket
11	422404	X	X	X	X	X	X	X	X	X	X	Vibrating bracket with hinge pin
12	44673	X	X	X	X	X	X	X	X	X	X	Hinge pin (eccentric) collar
13	141940	X	X	X	X	X	X	X	X	X	X	Set screw
14	37932	X	X	X	X	X	X	X	X	X	X	Needle bar connecting stud hinge pin cpl.
15	37931	X	X	X	X	X	X	X	X	X	X	Needle bar connecting stud hinge pin
16	141916	X	X	X	X	X	X	X	X	X	X	Set screw
17	37930	X	X	X	X	X	X	X	X	X	X	Needle bar connecting stud
18	352912	X	X	X	X	X	X	X	X	X	X	Needle bar
19	37943	X	X	X	X	X	X	X	X	X	X	Needle bar gib
20	44450	X	X	X	X	X	X	X	X	X	X	Ball bushing (lower) socket (upper)
21	37927	X	X	X	X	X	X	X	X	X	X	Ball bushing (lower)
22	507379	X	X	X	X	X	X	X	X	X	X	Ball bushing (lower) socket (lower)
23	44473	X	X	X	X	X	X	X	X	X	X	Ball bushing (lower) adjusting screw
24	141803	X	X	X	X	X	X	X	X	X	X	Set screw
25	319721	X	X	X	X	X	X	X	X	X	X	Needle clamp thread guide
26	141808	X	X	X	X	X	X	X	X	X	X	Screw
27	319729	X	X	X	X	X	X	X	X	X	X	Needle clamp cpl.
28	319728	X	X	X	X	X	X	X	X	X	X	Needle clamp body
29	511171	X	X	X	X	X	X	X	X	X	X	Needle thumb screw
30	Cat. 2045			X	X	X	X	X				Needle size 14 (fitted on machine)
	Cat. 2020	X	X						X	X	X	Needle size 14 (fitted on machine)
31	422310	X	X	X	X	X	X	X	X	X	X	Thread take-up stud
32	422307	X	X	X	X	X	X	X	X	X	X	Thread take-up
33	421356	X	X	X	X	X	X	X	X	X	X	Washer
34	352753	X	X	X	X	X	X	X	X	X	X	Needle bar connecting link
35	352754	X	X	X	X	X	X	X	X	X	X	Washer
36	352573	X	X	X	X	X	X	X	X	X	X	Arm shaft
37	354105	X	X	X	X	X	X	X	X	X	X	Thread take-up crank set screw
38	319764	X	X	X	X	X	X	X	X	X	X	Washer (2)
39	353357	X	X	X	X	X	X	X	X	X	X	Arm shaft retaining collar cpl.
40	141916	X	X		X	X	X	X	X	X	X	Set screw
41	353239	X		X	X	X	X	X	X			Arm shaft belt drive pulley cpl.
42	141918	X		X	X	X	X	X	X			Arm shaft belt drive pulley set screw
43	44679	X	X	X	X	X	X	X	X	X	X	Clamp stop motion flanged bushing cpl.
44	141916	X	X	X	X	X	X	X	X	X	X	Set screw
45	141915	X	X	X	X	X	X	X	X	X	X	Flanged bushing positioning screw
46	353107-451	X	X	X	X	X	X	X	X	X	X	Hand wheel
	352602-451		X	X						X	X	Hand wheel (treadle machine only)
47	44464	X	X	X	X	X	X	X	X	X	X	Clamp stop motion clamp washer
48	352589-451	X	X	X	X	X	X	X	X	X	X	Clamp stop motion clamp screw
49	141914	X	X	X	X	X	X	X	X	X	X	Clamp stop motion clamp stop screw

From the library of: Diamond Needle Corp

2

7100 series



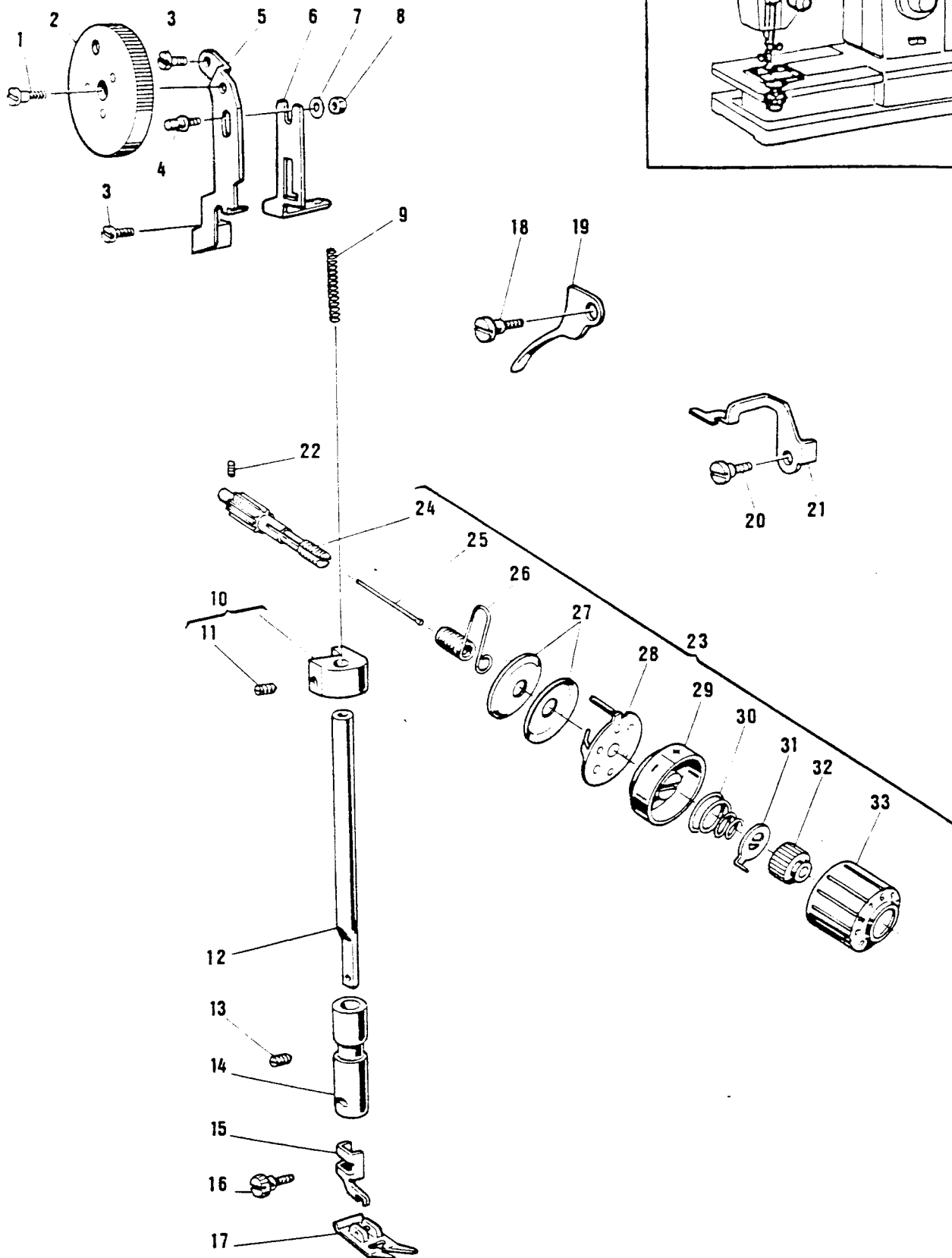
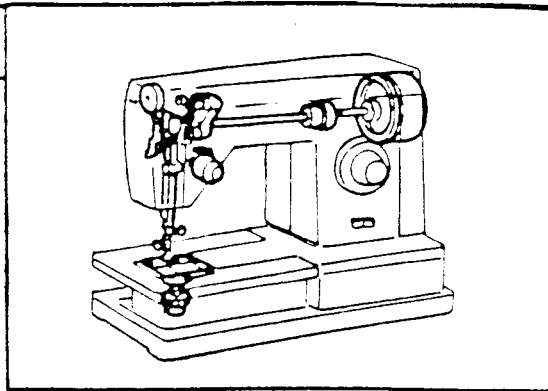
From the library of: Diamond Needle Corp

2

LIST OF PARTS FOR MACHINES 7100 SERIES

REF. N.	PART. N.	7184	7174	7186	7146	7136	7110	7105	7102	7101	7108	PART DESCRIPTION
1	102640	X	X	X	X	X	X	X	X	X	X	Needle plate clamp
2	153930	X	X	X	X	X	X	X	X	X	X	Needle plate clamp spring
3	352461		X							X	X	Needle plate
3a	422484			X								Needle plate
4	312391	X			X	X	X	X	X			Needle plate
5	44838		X	X						X	X	Bed slide
6	422229	X			X	X	X	X	X			Bed slide
7	179658	X	X	X	X	X	X	X	X	X	X	Clip
8	354134	X			X	X	X	X	X			Bed slide spring screw (2)
9	354799		X	X						X	X	Bed slide spring screw
10	103344	X			X	X	X	X	X			Bed slide spring
11	37239		X	X						X	X	Bed slide spring
12	422123	X			X	X	X	X	X			Retaining plate
13	319735	X			X	X	X	X	X			Spring
14	319737-451	X	X	X	X	X	X	X	X	X	X	Washer
15	319736	X	X	X	X	X	X	X	X	X	X	Clip
16	353123		X	X						X	X	Retaining plate
17	353122		X	X						X	X	Spring
18	354223-451	X	X	X	X	X	X	X	X	X	X	Position plate screw (2)
19	354227-451	X	X	X	X	X	X	X	X	X	X	Position plate screw
20	381903	X	X	X	X	X	X	X	X	X	X	Retaining plate (adjustable)
21	44873	X	X	X	X	X	X	X	X	X	X	Position plate
22	172336	X	X	X	X	X	X	X	X	X	X	Bobbin (plastic)
23	421325	X	X	X	X	X	X	X	X	X	X	Bobbin case cpl.
24	310884-452	X	X	X	X	X	X	X	X	X	X	Tension spring segment
25	139975	X	X	X	X	X	X	X	X	X	X	Tension spring segment screw
26	310883	X	X	X	X	X	X	X	X	X	X	Tension spring
27	354183	X	X	X	X	X	X	X	X	X	X	Tension regulating screw
28	353104	X	X	X	X	X	X	X	X	X	X	Rotating hook
29	506164	X		X	X	X	X	X	X			Washer (2)
30	353237	X		X	X	X	X	X	X			Flanged bushing (Eccentric)
31	446942		X							X	X	Flanged Bushing (Eccentric)
32	354133-451	X		X	X	X	X	X	X			Position screw
33	139943		X							X	X	Position screw
34	514689-451	X		X	X	X	X	X	X			Bushing set screw
35	141925		X							X	X	Bushing set screw
36	116084	X		X	X	X	X	X	X			Hook body retaining ring
37	114312	X		X	X	X	X	X	X			Bevel gear cpl.
38	514721	X		X	X	X	X	X	X			Bevel gear set screw(2)
39	103361-001	X		X	X	X	X	X	X			Belt drive pulley cpl.
40	354774-451		X							X	X	Belt drive pulley set screw(2)
41	352882		X							X	X	Belt drive pulley cpl.

From the library of: Diamond Needle Corp



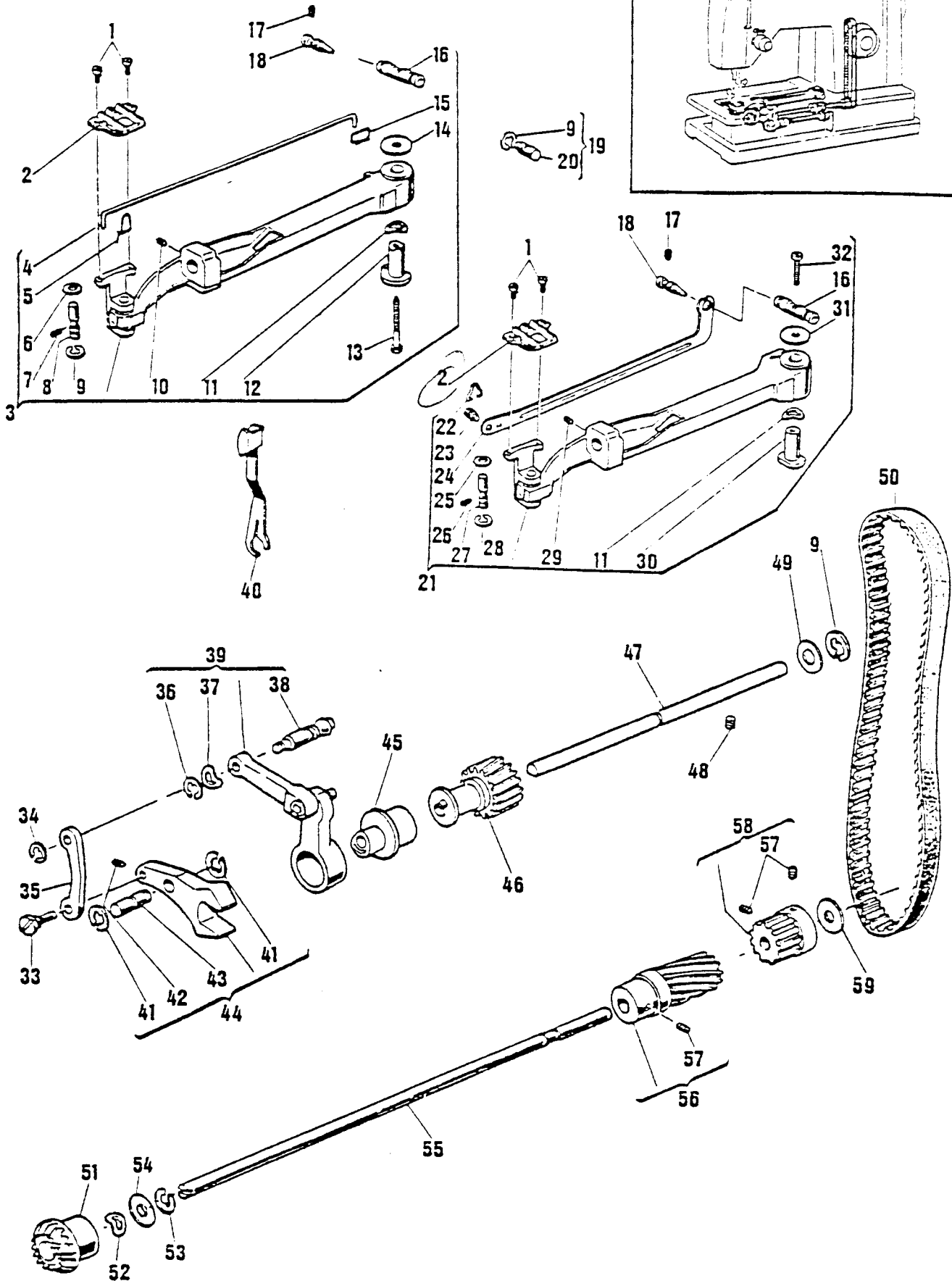
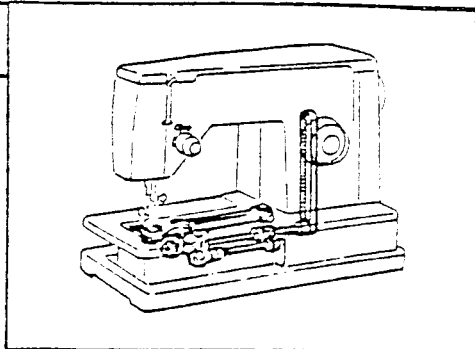
From the library of: Diamond Needle Corp

LIST OF PARTS FOR MACHINES 7100 SERIES

REF. N.	PART. N.	7184	7174	7186	7146	7136	7110	7105	7102	7101	7108	PART DESCRIPTION
1	141941	X	X	X	X	X	X	X	X	X	X	Pressure knob screw
2	422258-451			X	X						X	Pressure regulating knob
	422258-452	X	X						X	X		Pressure regulating knob
	422258-454					X						Pressure regulating knob
3	141913	X	X	X	X	X	X	X	X	X	X	Bracket screw (2)
4	422317	X	X	X	X	X	X	X	X	X	X	Pressure regulating knob pin
5	422231	X	X	X	X	X	X	X	X	X	X	Pressure regulating knob bracket
6	422316	X	X	X	X	X	X	X	X	X	X	Pressure regulating knob bracket slide
7	422241	X	X	X	X	X	X	X	X	X	X	Washer
8	514674	X	X	X	X	X	X	X	X	X	X	Nut
9	44449	X	X	X	X	X	X	X	X	X	X	Presser bar spring
10	44444	X	X	X	X	X	X	X	X	X	X	Presser bar guide bracket cpl.
11	354420-451	X	X	X	X	X	X	X	X	X	X	Set screw
12	446740	X	X	X	X	X	X	X	X	X	X	Presser bar
13	141803	X	X	X	X	X	X	X	X	X	X	Bushing set screw
14	37958	X	X	X	X	X	X	X	X	X	X	Presser bar bushing
15	155964	X	X	X	X	X	X	X	X	X	X	Presser bar shank
16	354135-451	X	X	X	X	X	X	X	X	X	X	Presser foot thumb screw
17	155962	X	X	X	X	X	X	X	X	X	X	Presser foot (zig-zag)
18	141846	X	X	X	X	X	X	X	X	X	X	Hinge screw
19	44445	X	X	X	X	X	X	X	X	X	X	Presser bar lifter
20	141786	X	X	X	X	X	X	X	X	X	X	Hinge screw
21	44829	X	X	X	X	X	X	X	X	X	X	Tension releasing lever
22	141803	X	X	X	X	X	X	X	X	X	X	Set screw
23	422403-455	X	X	X	X	X	X	X	X	X	X	Tension cpl
24	44454	X	X	X	X	X	X	X	X	X	X	Tension stud
25	37986	X	X	X	X	X	X	X	X	X	X	Tension releasing pin
26	66774-002	X	X	X	X	X	X	X	X	X	X	Thread take-up spring
27	2102	X	X	X	X	X	X	X	X	X	X	Tension disc (2)
28	45343	X	X	X	X	X	X	X	X	X	X	Spring thread guard
29	421739-456	X	X	X	X	X	X	X	X	X	X	Tension spring cup
30	125314	X	X	X	X	X	X	X	X	X	X	Tension spring
31	37984	X	X	X	X	X	X	X	X	X	X	Tension indicator stop washer
32	507405	X	X	X	X	X	X	X	X	X	X	Tension indicator adaptor
33	422402-452	X	X	X	X	X	X	X	X	X	X	Tension indicator

3

7100 series



From the library of: Diamond Needle Corp

3

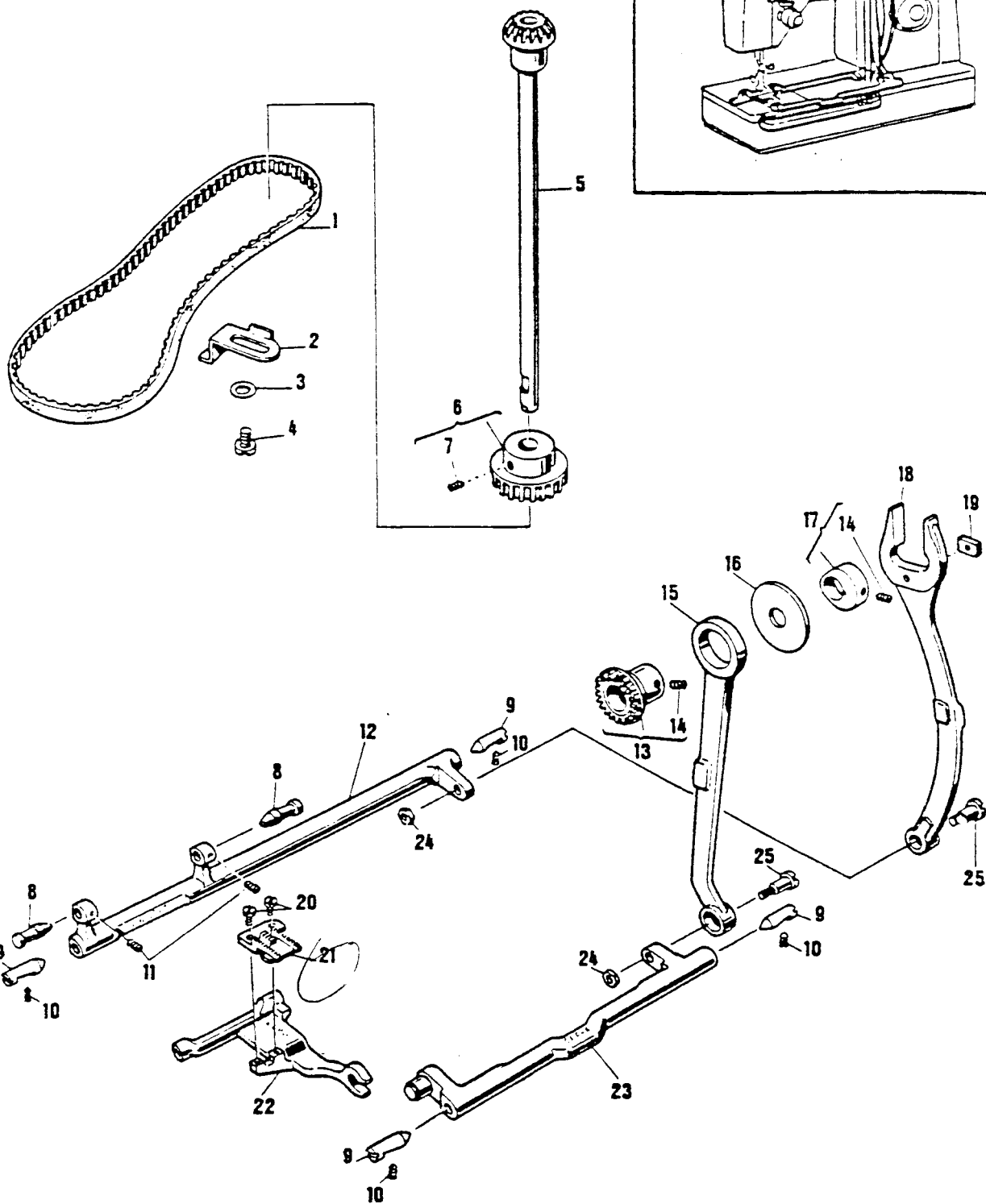
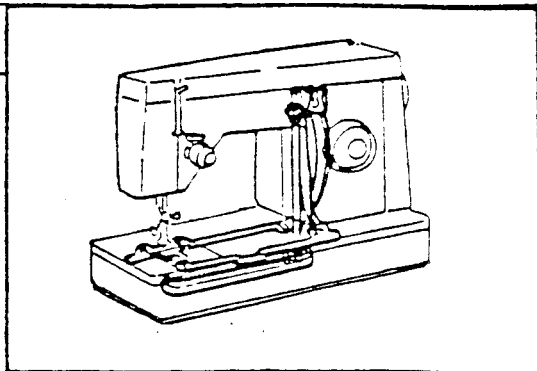
LIST OF PARTS FOR MACHINES 7100 SERIES

REF. N.	PART. N.	7184	7174	7186	7146	7136	7110	7105	7102	7101	7108	PART DESCRIPTION
1	141920	X		X	X	X	X	X	X			Feed dog screw (2)
2	422406	X		X	X	X	X	X	X			Feed dog
3	422385	X		X	X	X	X	X	X			Feed bar cpl.
4	422335-000	X		X	X	X	X	X	X			Compensating link
5	422561-000	X		X	X	X	X	X	X			Retaining spring
6	511210	X		X	X	X	X	X	X			Washer
7	544100	X		X	X	X	X	X	X			Screw
8	511052	X		X	X	X	X	X	X			Stud
9	511213	X		X	X	X	X	X	X			Retaining ring
10	549308	X		X	X	X	X	X	X			Set screw
11	511211	X		X	X	X	X	X	X			Washer
12	422340	X		X	X	X	X	X	X			Bushing
13	514744-451	X		X	X	X	X	X	X			Feed bar guide pin screw
14	422338	X		X	X	X	X	X	X			Washer
15	422337-000	X		X	X	X	X	X	X			Retaining spring
16	421814	X		X	X	X	X	X	X			Feed bar guide pin
17	514556-451	X		X	X	X	X	X	X			Set screw
18	507917	X		X	X	X	X	X	X			Feed bar guide pin centre (black)
19	502310	X		X	X	X	X	X	X			Feed bar guide pin centre cpl. (front)
20	502309	X		X	X	X	X	X	X			Feed bar guide pin centre (front)
21	353195	X		X	X	X	X	X	X			Feed bar cpl. (Alternate To 422385)
22	511075	X		X	X	X	X	X	X			Retaining spring
23	141827	X		X	X	X	X	X	X			Screw stud
24	174216	X		X	X	X	X	X	X			Compensating link
25	174251	X		X	X	X	X	X	X			Washer
26	139878	X		X	X	X	X	X	X			Screw
27	174217	X		X	X	X	X	X	X			Stud
28	163562	X		X	X	X	X	X	X			Retaining ring
29	141812	X		X	X	X	X	X	X			Set screw
30	507822	X		X	X	X	X	X	X			Bushing
31	507824	X		X	X	X	X	X	X			Washer
32	514692	X		X	X	X	X	X	X			Feed bar guide pin screw
33	511056	X		X	X	X	X	X	X			Hinge stud (eccentric)
34	507063	X		X	X	X	X	X	X			Retaining ring
35	511016	X		X	X	X	X	X	X			Feed lifting fork connection
36	502744	X		X	X	X	X	X	X			Retaining ring
37	422388	X		X	X	X	X	X	X			Washer
38	422345	X		X	X	X	X	X	X			Hinge stud (eccentric)
39	422347	X		X	X	X	X	X	X			Drive connectin
40	421875	X		X	X	X	X	X	X			Belt tension adjuster lever
41	511213	X		X	X	X	X	X	X			Retaining ring
42	514685	X		X	X	X	X	X	X			Set screw
43	511057	X		X	X	X	X	X	X			Hinge stud
44	422514	X		X	X	X	X	X	X			Feed lifting fork cpl.
45	422361	X		X	X	X	X	X	X			Feed eccentric
46	422325	X		X	X	X	X	X	X			Feed drive shaft gear cpl.
47	422324	X		X	X	X	X	X	X			Feed drive shaft
48	514556	X		X	X	X	X	X	X			Set screw
49	116073	X		X	X	X	X	X	X			Drive shaft washer
50	421035-001	X		X	X	X	X	X	X			Drive shaft belt
51	422395	X		X	X	X	X	X	X			Drive shaft bevel gear
52	507722	X		X	X	X	X	X	X			Rotating hook drive shaft spring washer
53	511213	X		X	X	X	X	X	X			Retaining ring
54	116073	X		X	X	X	X	X	X			Drive shaft washer
55	422394	X		X	X	X	X	X	X			Rotating hook drive shaft
56	422408	X		X	X	X	X	X	X			Drive shaft gear cpl.
57	514556	X		X	X	X	X	X	X			Set screw
58	352871	X		X	X	X	X	X	X			Drive shaft gear
59	421356	X		X	X	X	X	X	X			Damping washer

From the library of: Diamond Needle Corp

3

7100 series



From the library of: Diamond Needle Corp

3

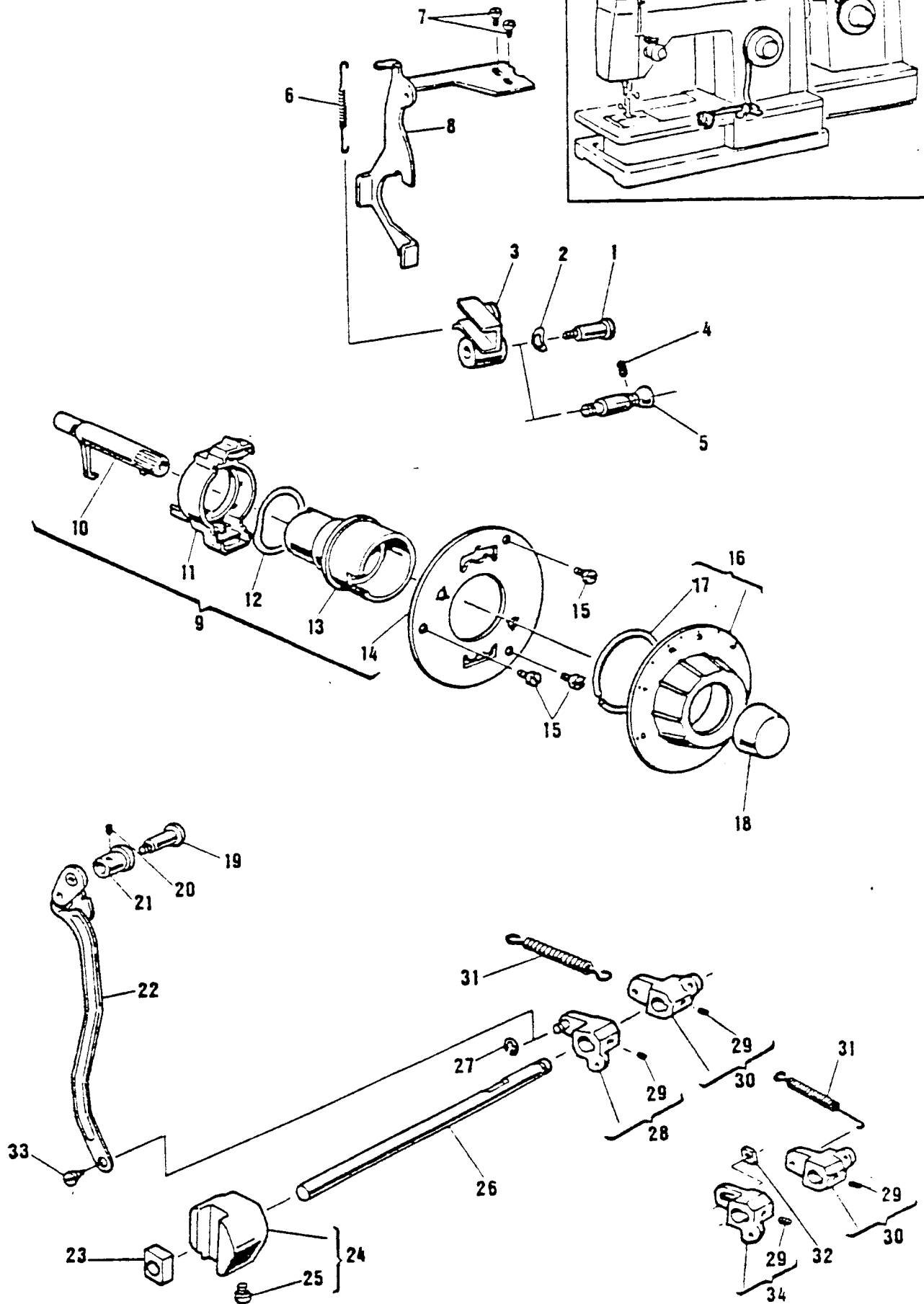
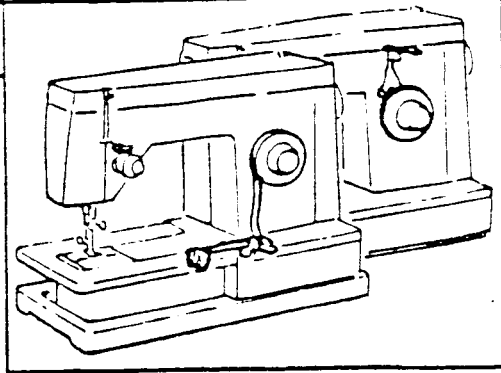
LIST OF PARTS FOR MACHINES 7100 SERIES

REF. N.	PART. N.	7184	7174	7186	7146	7136	7110	7105	7102	7101	7108	PART DESCRIPTION
1	37977		X							X	X	Rotating hook drive belt
2	446736		X							X	X	Driving belt tension adjuster
3	446737		X							X	X	Friction washer
4	139909		X							X	X	Adjuster screw
5	37231		X							X	X	Arm shaft (upright)
6	446822		X							X	X	Belt drive pulley cpl.
7	141803		X							X	X	Set screw
8	446716		X							X	X	Feed bar centre (2)
9	179880		X							X	X	Feed lifting rock shaft centre
10	141925		X							X	X	Set screw (4)
11	141938		X							X	X	Set screw (2)
12	446717		X							X	X	Feed rock shaft
13	37229		X							X	X	Bevel gear and feed lifting cpl.
14	141918		X							X	X	Set screw
15	37286		X							X	X	Connecting rod
16	37284-001		X							X	X	Retaining washer
17	37281		X							X	X	Feed cam cpl.
18	37283		X							X	X	Feed forked connection
19	319820		X							X	X	Slide block
20	141920		X							X	X	Feed dog screw (2)
21	422407		X							X	X	Feed dog
22	37280		X							X	X	Feed bar
23	37286		X							X	X	Feed lifting rock shaft
24	53646		X							X	X	Nut
25	141805		X							X	X	Hinge screw (eccentric)

From the library of: Diamond Needle Corp

4

7100 series



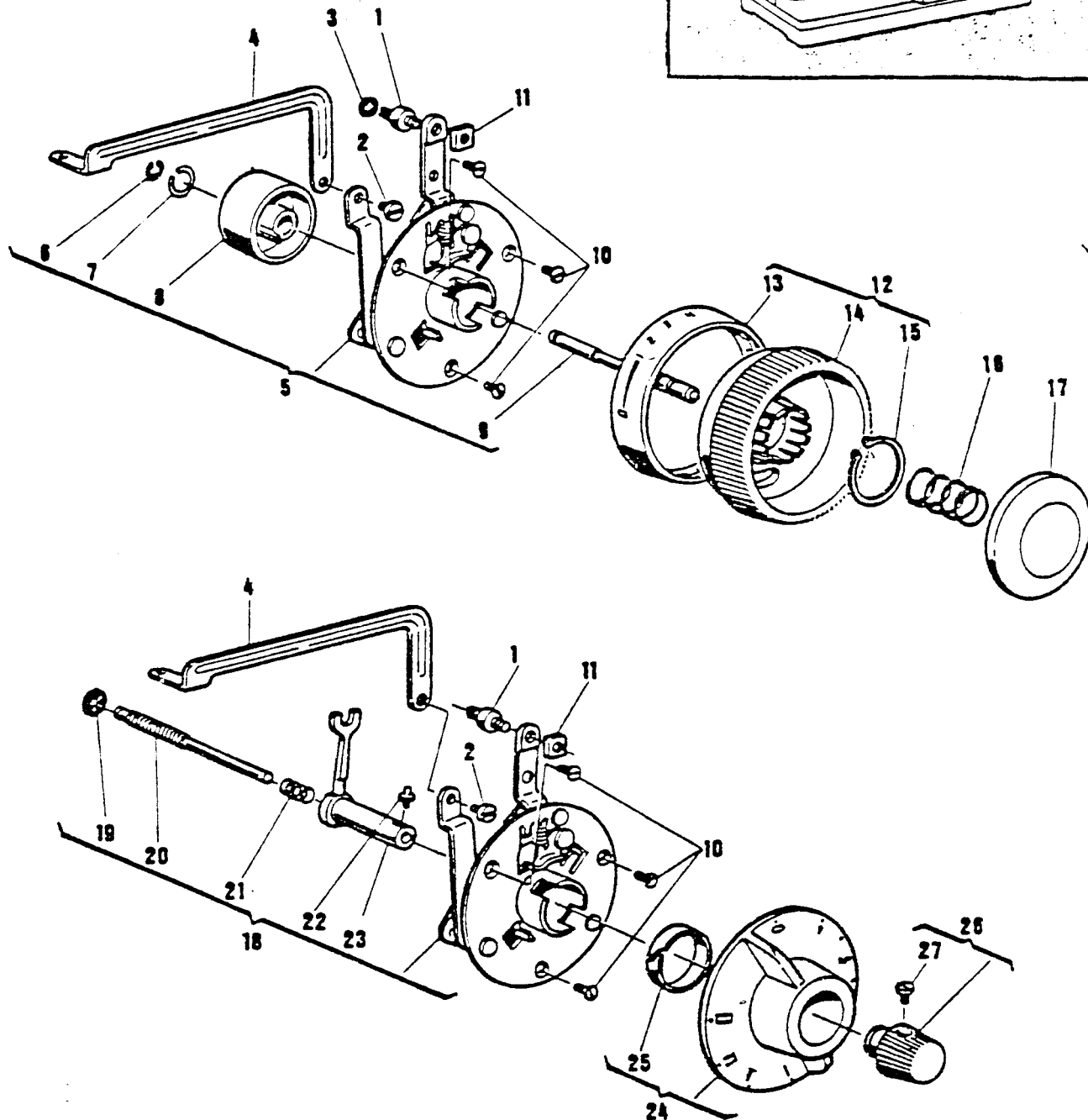
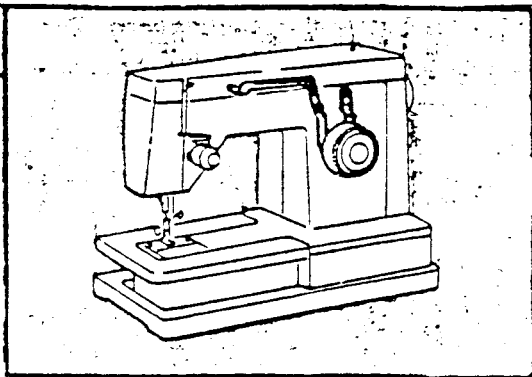
From the library of: Diamond Needle Corp

LIST OF PARTS FOR MACHINES 7100 SERIES

REF. Z.	PART. N.	7184	7174	7186	7146	7136	7110	7105	7102	7101	7108	PART DESCRIPTION
1	141790									X	X	Hinge screw
2	446571									X	X	Friction washer
3	37290									X	X	Feed regulator
3a	353181		X	X								Feed regulator
4	141803		X	X								Screw
5	353182		X	X								Hinge screw
6	37913		X	X						X	X	Feed regulator return spring
7	354799		X	X						X	X	Bracket screw (2)
8	446806									X	X	Feed regulator control arm
8a	353179		X									Feed regulator control arm
9	422253								X	X		Feed regulator cpl.
10	422240								X	X		Positioning pin
11	422237								X	X		Feed regulator cam
12	422238								X	X		Friction spring
13	422236								X	X		Feed regulator cam
14	446932								X	X		Mounting plate
15	354799								X	X		Mounting plate screw
16	422299								X	X		Control dial cpl.
17	37300								X	X		Retaining ring
18	422239								X	X		Feed regulator positioning pin knob
19	354733-451	X							X			Hinge screw
20	141803	X							X			Set screw
21	352801	X							X			Hingescrew bushing
22	422217	X							X			Feed regulator control arm
23	511030	X							X			Slide block
24	511484	X							X			Feed regulator cpl.
25	353126	X							X			Feed regulator set screw
26	422214	X							X			Feed regulator shaft
27	507063	X							X			Retaining ring
28	422210	X							X			Feed regulator
29	514509	X							X			Set screw
30	422209	X							X			Feed regulator
31	421959	X							X			Tension spring
31a	353188	X										Tension spring
32	514698-451	X										Nut
33	353190	X										Screw
34	422212	X										Feed regulator

4

7100 series



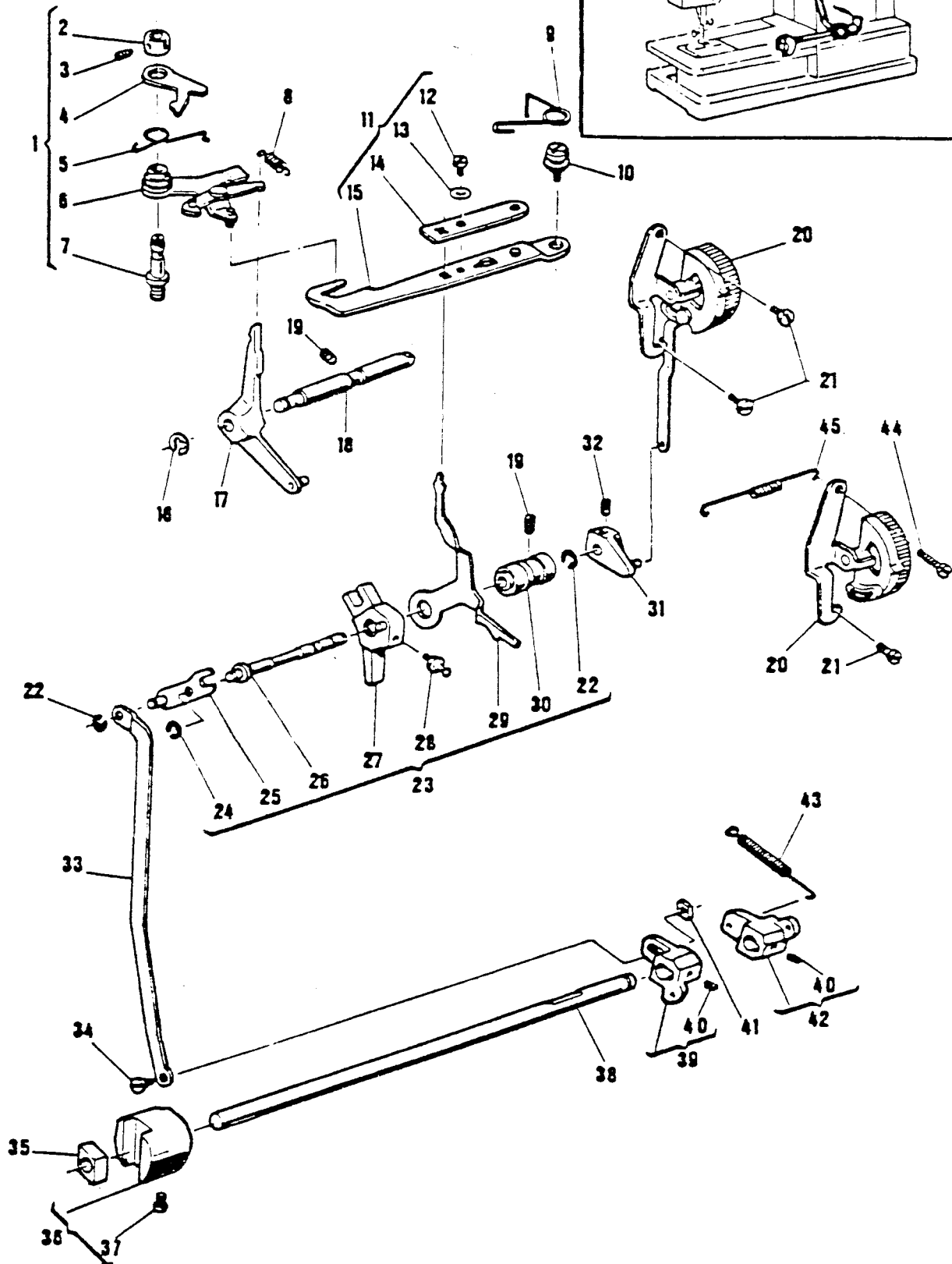
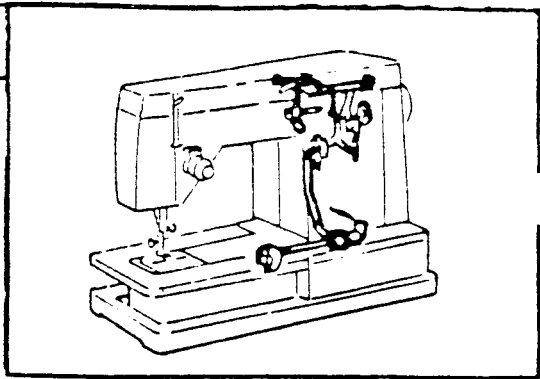
From the library of: Diamond Needle Corp

LIST OF PARTS FOR MACHINES 7100 SERIES

D M N. Z.	PART. N.											PART DESCRIPTION	
		7184	7174	7186	7146	7136	7110	7105	7102	7101	7108		
1	514745-451	X	X	X	X	X	X	X				X	Bearing screw
2	139866	X	X	X	X	X	X	X				X	Hinge screw
	507063			X	X	X	X	X					Retaining ring
4	421926	X	X	X	X	X	X	X				X	Bight control lever link
5	422363			X	X	X	X	X					Buttonholer and feed regulator cpl.
6	507063			X	X	X	X	X					Retaining ring
7	421925			X	X	X	X	X					Retaining ring
8	421852			X	X	X	X	X					Feed regulator cam
9	421935			X	X	X	X	X					Reverse feed pin
10	139868	X	X	X	X	X	X	X				X	Screw
11	514698-451	X	X	X	X	X	X	X				X	Nut
12	422019-452					X	X	X					Control dial cpl. (chromium plated)
	422019-453			X	X								Control dial cpl.
13	421938-454					X	X	X					Control dial ring (with yellow mark)
	421938-453			X	X								Control dial ring
14	421864-451			X	X	X	X	X					Control dial (chromium plated)
15	421871			X	X	X	X	X					Retaining ring
16	421934			X	X	X	X	X					Pressure spring
17	421933-452					X	X	X					Reverse feed push button
17a	421933-453			X	X								Reverse feed push button
18	422089		X									X	Buttonholer and feed regulator cpl.
18a	353187	X											Buttonholer and feed regulator cpl.
19	446897		X									X	Retaining ring
20	352820		X									X	Feed regulator positioning pin
20a	353185	X											Feed regulator positioning pin
21	446896	X	X									X	Friction spring
22	352583	X	X									X	Reverse feed cam follower
23	446918	X	X									X	Feed regulator positioning pin carrier
24	353078-451	X	X									X	Control dial cpl.
25	445512	X	X									X	Retaining ring
26	445307-451	X	X									X	Feed regulator positioning pin knob
27	354592	X	X									X	Screw

4

7100 series



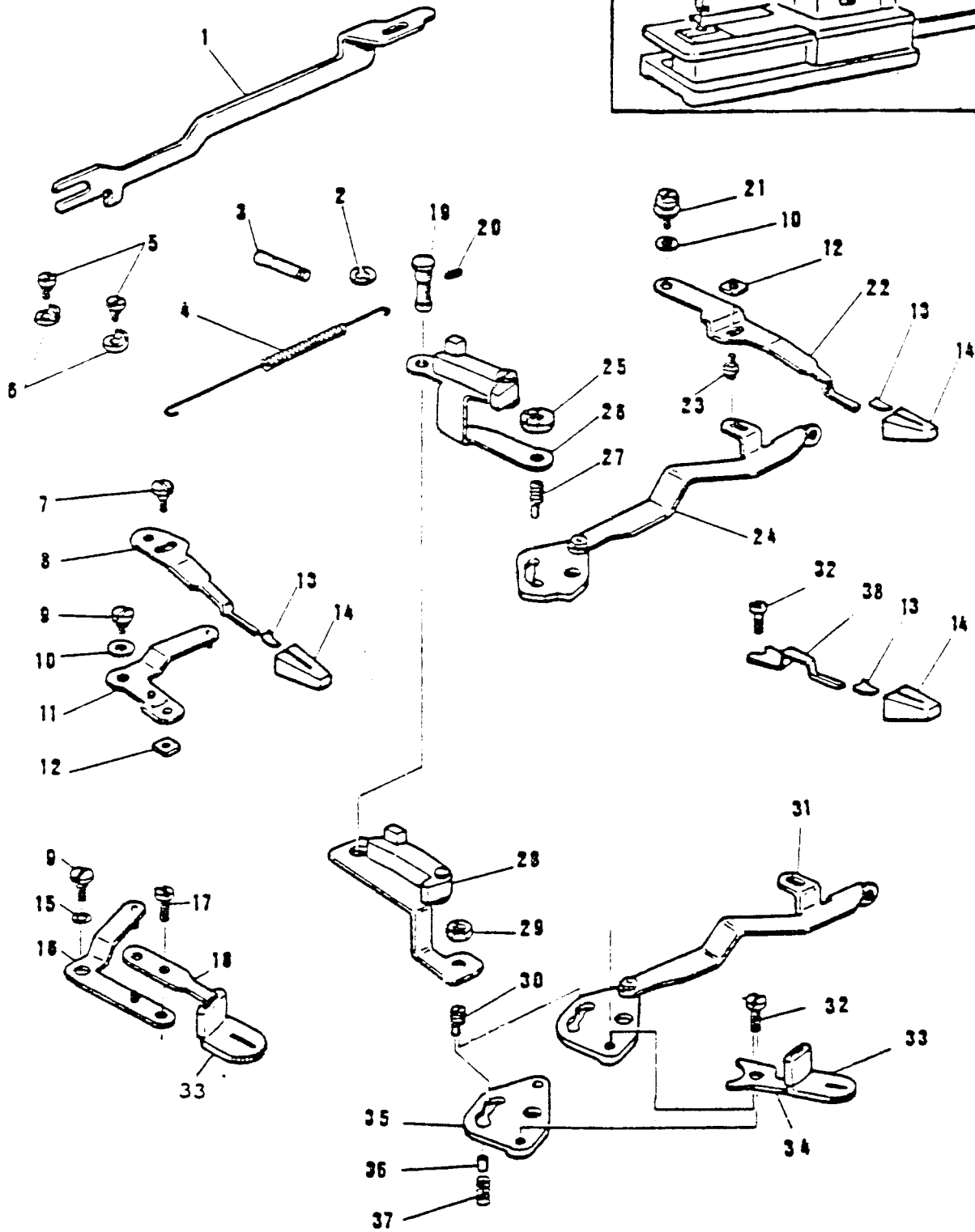
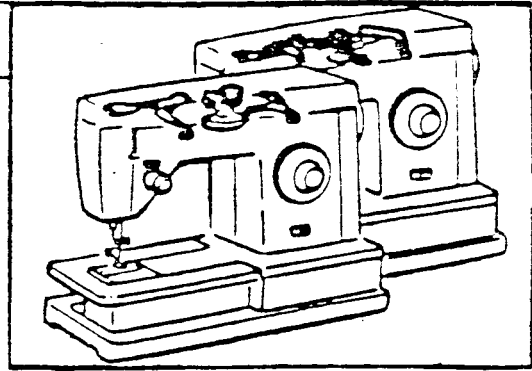
From the library of: Diamond Needle Corp

LIST OF PARTS FOR MACHINES 7100 SERIES

REF. N.	PART. N.	7184	7174	7186	7146	7136	7110	7105	7102	7101	7108	PART DESCRIPTION
1	421997			X	X	X	X	X				Cam feed disc drive lever
2	353033			X	X	X	X	X				Feed shaft drive collar
3	354795-451			X	X	X	X	X				Set screw
4	421130			X	X	X	X	X				Cam feed disc follower
5	421138			X	X	X	X	X				Tension spring
6	421133			X	X	X	X	X				Cam feed disc drive lever cpl.
7	421131			X	X	X	X	X				Bearing stud
8	421945			X	X	X	X	X				Tension spring
9	421950			X	X	X	X	X				Tension spring
10	421949-451			X	X	X	X	X				Hinge screw
11	421946			X	X	X	X	X				Clutch lever cpl.
12	514554-451			X	X	X	X	X				Screw
13	506125			X	X	X	X	X				Washer
14	421948			X	X	X	X	X				Adjusting lever
15	421947			X	X	X	X	X				Clutch lever
16	511213			X	X	X	X	X				Retaining ring
17	421941			X	X	X	X	X				Transmission lever cpl.
18	421129			X	X	X	X	X				Transmission lever shaft (eccentric)
19	113467-451			X	X	X	X	X				Set screw
20	421951-452			X	X	X	X	X				Feed balancing bracket cpl. (chromium plated)
21	354084			X	X	X	X	X				Screw (2)
22	507309			X	X	X	X	X				Retaining ring
23	421989			X	X	X	X	X				Bearing stud cpl.
24	507343			X	X	X	X	X				Retaining ring
25	421991			X	X	X	X	X				Adjusting lever cpl.
26	421863			X	X	X	X	X				Bearing stud
27	421856			X	X	X	X	X				Feed regulator control arm
28	421857			X	X	X	X	X				Feed regulator control arm (ball)
29	421929			X	X	X	X	X				Actuating lever
30	421978			X	X	X	X	X				Eccentric bushing
31	421956			X	X	X	X	X				Driving arm eccentric
32	354085-451			X	X	X	X	X				Set screw
33	421931			X	X	X	X	X				Connection link
34	422244			X	X	X	X	X				Screw
35	511030			X	X	X	X	X				Slide block
36	511484			X	X	X	X	X				Feed regulator cpl.
37	351126			X	X	X	X	X				Feed regulator set screw
38	422214			X	X	X	X	X				Feed regulator shaft
39	422212			X	X	X	X	X				Feed regulator
40	514509			X	X	X	X	X				Set screw
41	514698-451			X	X	X	X	X				Nut
42	422209			X	X	X	X	X				Feed regulator
43	421959			X	X	X	X	X				Tension spring
44	139938							X				Screw
45	37942							X				Tension spring

5

7100 series



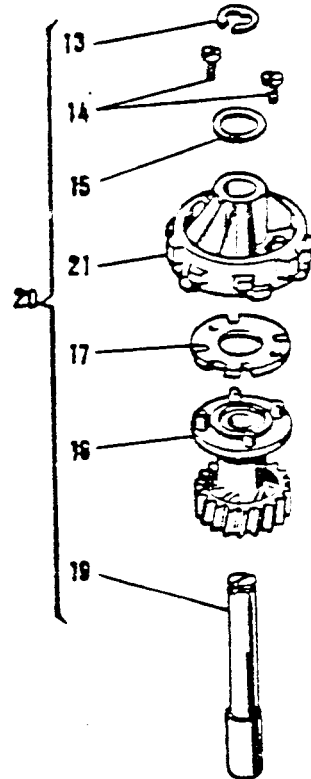
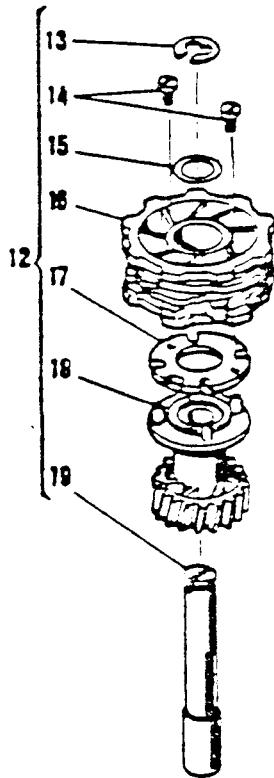
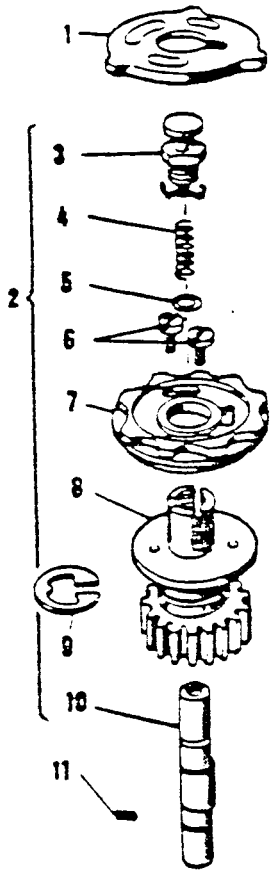
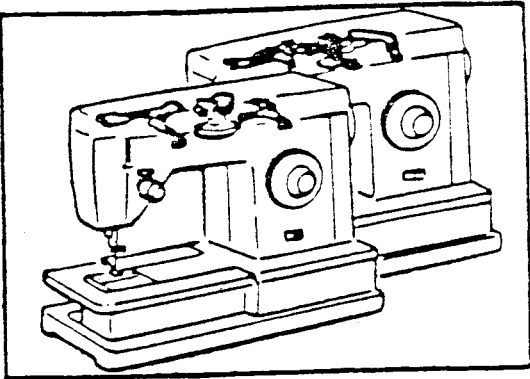
From the library of: Diamond Needle Corp

LIST OF PARTS FOR MACHINES 7100 SERIES

REF. N.	PART. N.	7184	7174	7186	7146	7136	7110	7105	7102	7101	7108	PART DESCRIPTION
1	37933	X	X	X	X	X	X	X	X	X	X	Needle bar driving arm
2	507309	X	X	X	X	X	X	X	X	X	X	Retaining ring
3	319688		X							X	X	Tension spring post
4	422254	X		X	X	X	X	X	X			Tension spring
4a	37942		X							X	X	Tension spring
5	141787	X	X	X	X	X	X	X	X	X	X	Stop screw (2)
6	37248	X	X	X	X	X	X	X	X	X	X	Control lever link stop (2)
7	514730-451			X	X	X	X	X				Screw
8	421858			X	X	X	X	X				Bight amplitude control lever
9	141786	X	X	X	X	X	X	X	X	X	X	Hinge screw
10	49204			X	X	X	X	X				Friction washer
11	421984			X	X	X	X	X				Control lever link
12	514707	X	X	X	X	X	X	X				Nut
13	37244			X	X	X	X	X				Control lever knob spring clip
14	421883-451			X	X	X	X	X				Control lever knob (chromium plated)
15	49204	X	X								X	Friction Washer
15a	446737								X	X		Friction washer
16	421984	X	X								X	Control lever link
16a	37246								X	X		Control lever link
17	514730-451	X	X								X	Screw
17a	139943								X	X		Screw
18	422072	X	X						X	X	X	Bight amplitude control lever
19	179792	X	X	X	X	X	X	X	X	X	X	Hinge stud
20	354196-451	X	X	X	X	X	X	X	X	X	X	Set screw
21	141786			X	X	X	X					Hinge screw
22	421859			X	X	X	X					Needle position lever
23	421893			X	X	X	X					Stud
24	422075			X	X	X	X					Needle position selector lever cpl.
25	179739-451			X	X	X	X					Eccentric screw stud nut
5	421886			X	X	X	X					Slide braket
7	445347			X	X	X	X					Eccentric screw stud
28	319798	X	X					X	X	X	X	Slide bracket
29	53641	X	X					X	X	X	X	Eccentric screw stud nut
30	44471	X	X					X	X	X	X	Eccentric screw stud
31	422075	X	X					X			X	Needle position selector lever cpl.
32	141913	X	X					X	X	X	X	Screw
33	422213-451	X	X						X	X	X	Control lever knob (plastic colour)
34	352524	X	X						X	X	X	Needle position selector lever
35	37953	X	X					X	X	X	X	Bracket
36	37955	X	X	X	X	X	X	X	X	X	X	Positioning pin
37	37956	X	X	X	X	X	X	X	X	X	X	Positioning pin spring
38	422428							X				Needle position lever

5

7100 series



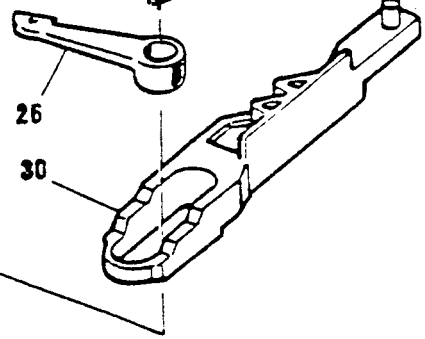
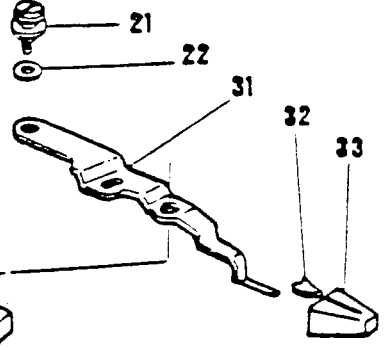
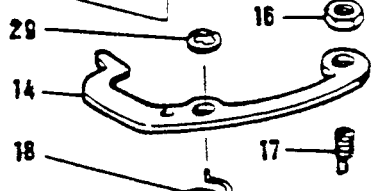
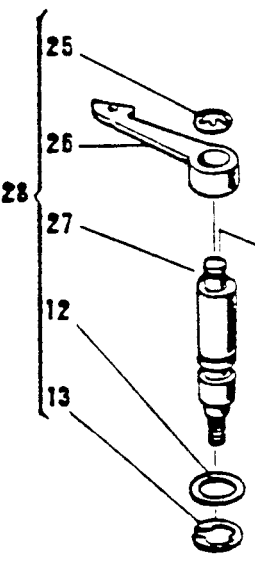
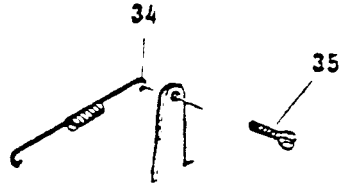
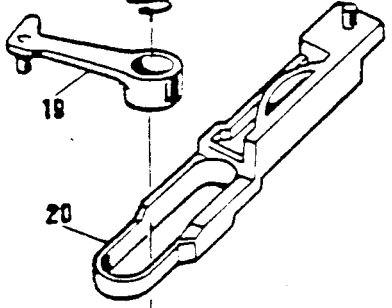
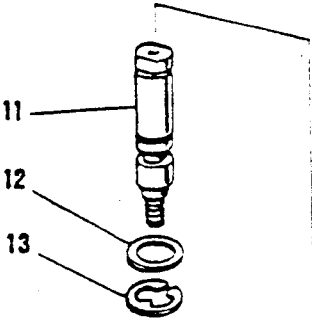
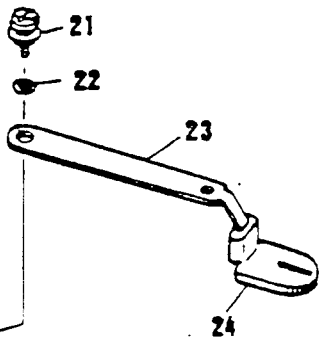
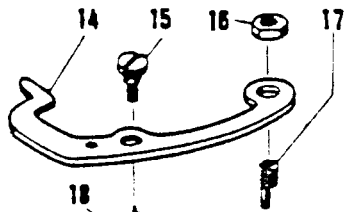
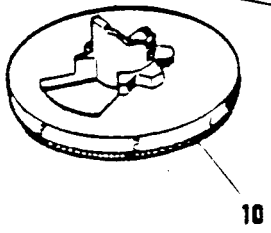
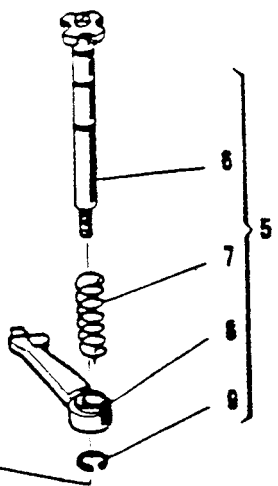
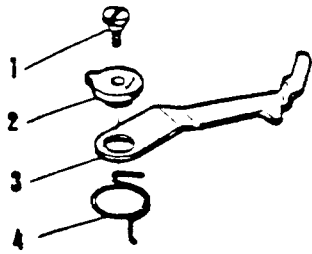
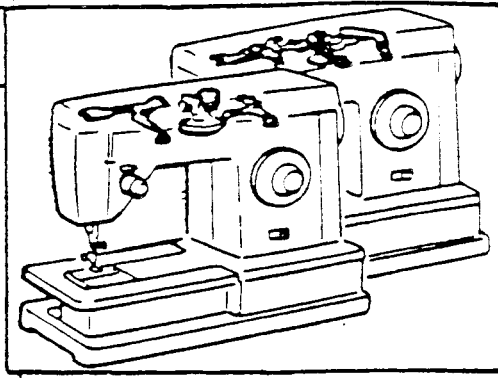
From the library of: Diamond Needle Corp

LIST OF PARTS FOR MACHINES 7100 SERIES

REF. N.	PART. N.	7184	7174	7186	7146	7136	7110	7105	7102	7101	7108	PART DESCRIPTION
1	276932										X	Disc n. 32 (blindstich)
2	319874										X	Disc driving gear and releasing mechanism
3	319682										X	Disc releasing stud
4	319679										X	Disc releasing stud spring
5	319775										X	Washer
6	141807										X	Disc positioning screw (2)
7	422004										X	Disc stack
8	319685										X	Disc driving gear
9	44730										X	Retaining ring
10	37261										X	Disc driving gear shaft
11	141803										X	Set screw
12	422079					X	X	X				Disc driving gear cpl.
12a	422496			X	X							Disc driving gear cpl.
13	422441	X	X	X	X	X	X	X	X	X		Retaining ring
14	422440	X	X	X	X	X	X	X	X	X		Disc positioning screw (2)
15	422074	X	X	X	X	X	X	X	X	X		Washer
16	422206					X	X	X				Disc stack
16a	422495			X	X							Disc stack
17	422260	X	X	X	X	X	X	X	X	X		Disc mounting plate
18	422202	X	X	X	X	X	X	X	X	X		Disc driving gear
19	422073	X	X	X	X	X	X	X	X	X		Disc driving gear shaft
20	422080								X	X		Disc driving gear cpl.
20a	353175	X	X									Disc driving gear cpl.
21	422288							X		X		Disc stack
21a	353174	X	X									Disc stack

515
245
3410

5 7100 series



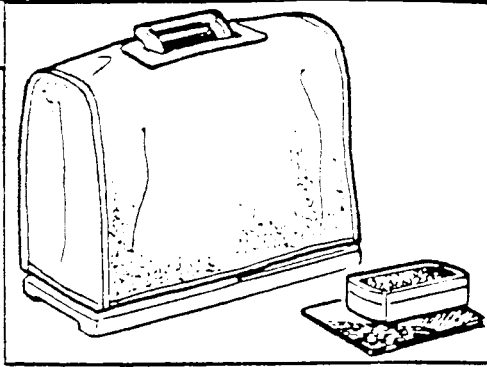
LIST OF PARTS FOR MACHINES 7100 SERIES

REF. N.	PART. N.	7184	7174	7186	7146	7136	7110	7105	7102	7101	7108	PART DESCRIPTION
1	514733-451			X	X	X	X					Bushing screw
2	422230			X	X	X	X					Disengaging lever bushing
	421901			X	X	X	X					Disengaging lever
4	421902			X	X	X	X					Disengaging lever spring
5	421730-451			X	X	X						Disc follower cpl.
	421732-451						X					Disc follower cpl.
6	421898			X	X	X	X					Hinge stud
7	421897			X	X	X	X					Disc follower spring
8	421896			X	X	X	X					Disc follower
9	511213			X	X	X	X					Retaining ring
10	421969-452					X						Disc selector dial (chromium plated)
	422065-451						X					Disc selector dial
	422496-451			X	X							Disc selector dial
11	37268										X	Disc follower stud
12	37276	X	X					X	X	X	X	Disc follower washer
13	44371	X	X					X	X	X	X	Retainin ring
14	422081	X	X					X			X	Disc follower disengaging lever
15	141787										X	Screw
16	53641	X	X					X			X	Nut
17	44471	X	X					X			X	Screw stud (eccentric)
18	44419	X	X					X			X	Disc follower positioning spring
19	446610										X	Disc follower
20	422086										X	Disc selector cam slide
21	141786	X	X					X			X	Hinge screw
22	446737	X	X					X			X	Friction washer
23	422084	X	X								X	Disc selector lever
24	422213-451	X	X								X	Selector lever knob
25	44735								X	X		Retaining ring
26	37262	X	X					X	X	X	X	Disc follower
27	422426	X	X					X	X	X	X	Disc follower stud
28	422434							X		X	X	Disc follower stud cpl.
29	507063	X	X					X				Retaining ring
	422425							X				Disc selector cam slide
30a	353183	X	X									Disc selector cam slide
31	421859							X				Disc selector lever
32	37244							X				Disc selector control lever knob spring clip
33	421883-451							X				Disc selector control lever knob (chromium plated)
34	37942											Tension spring
35	139938	X	X									Screw

From the library of: Diamond Needle Corp

6

7100 series



8-10-11
13-14-15-16 } 1
17-18-19-20

8-10
12-14-16-17 } 2
19-20

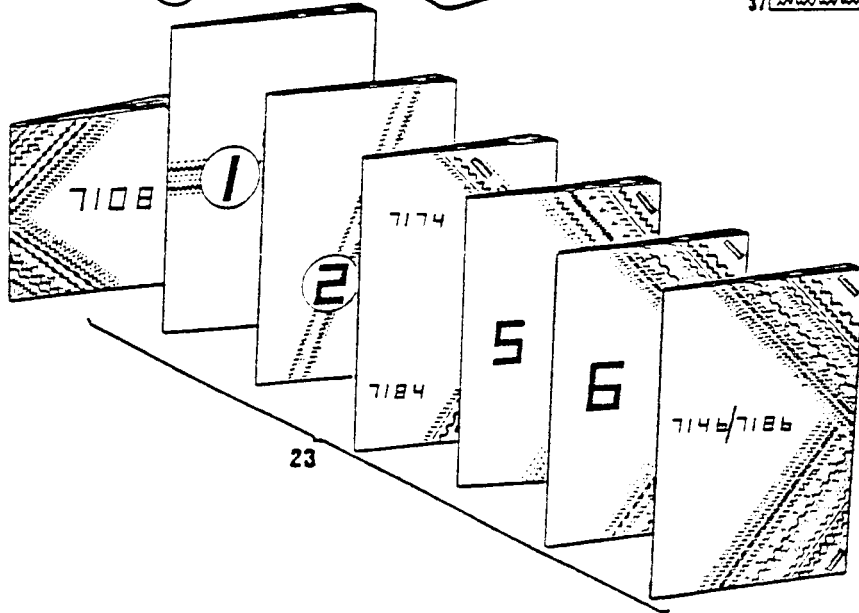
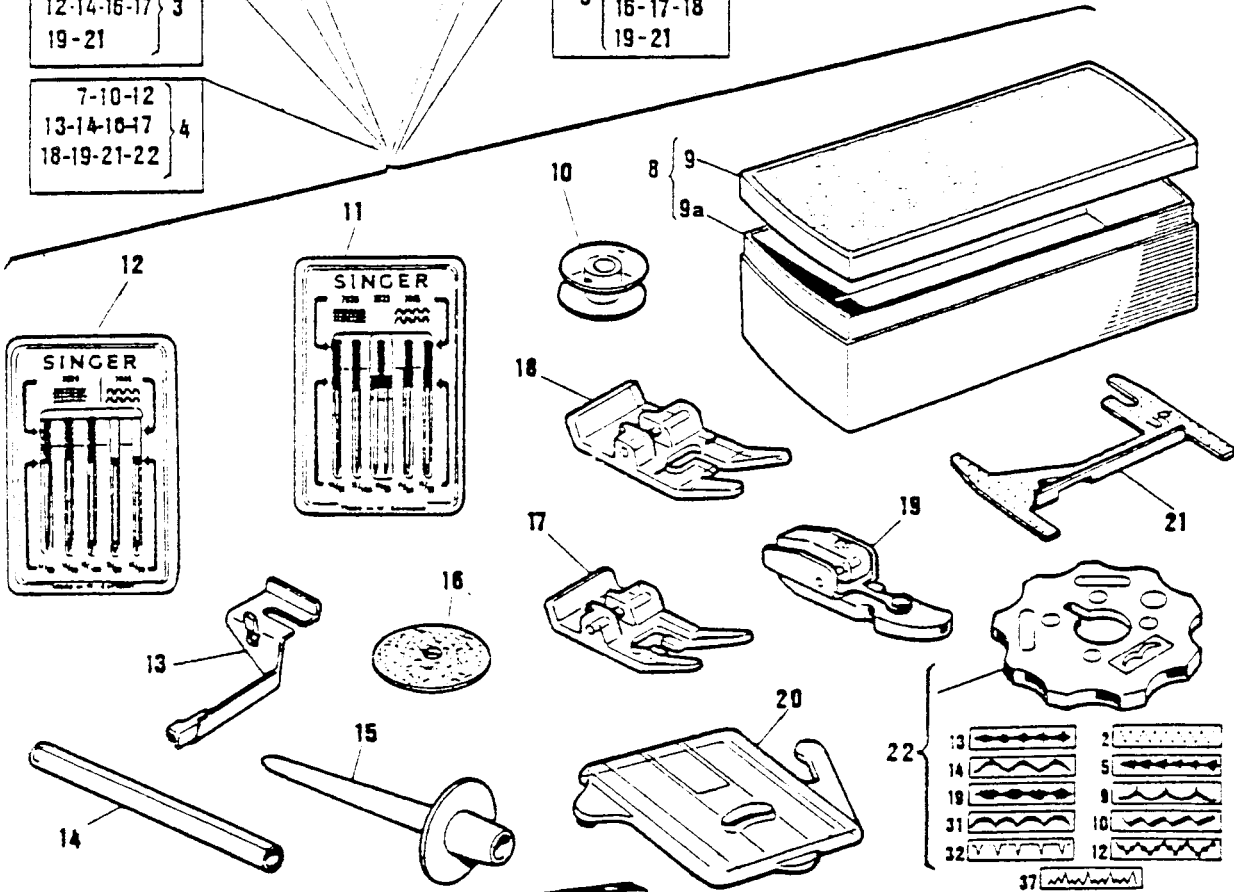
8-10
12-14-16-17 } 3
19-21

7-10-12
13-14-16-17 } 4
18-19-21-22

8-10-12
13-14-16-17 } 7
18-19-20

8-10-12
13-14-16-17 } 6
18-19-21

8-10-11
13-14-15
16-17-18
19-21



From the library of: Diamond Needle Corp

LIST OF PARTS FOR MACHINES 7100 SERIES

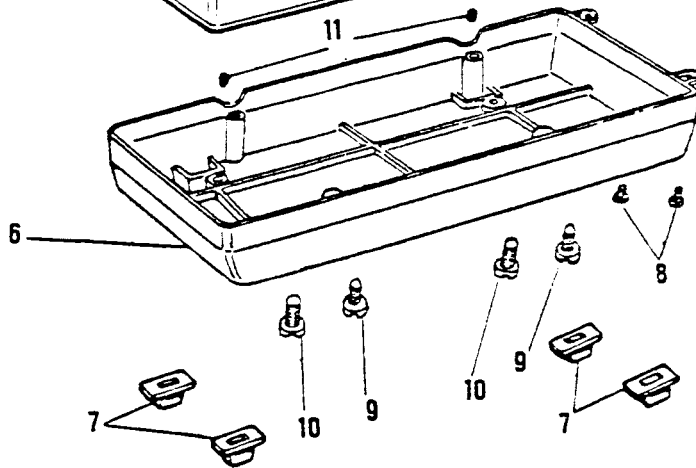
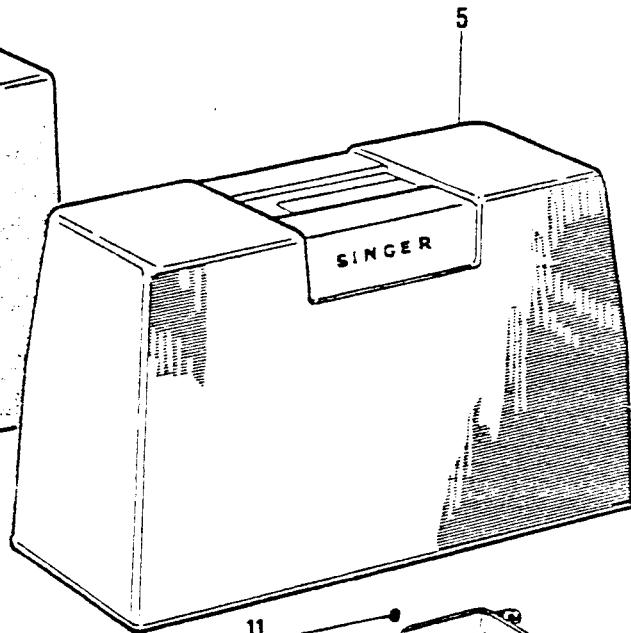
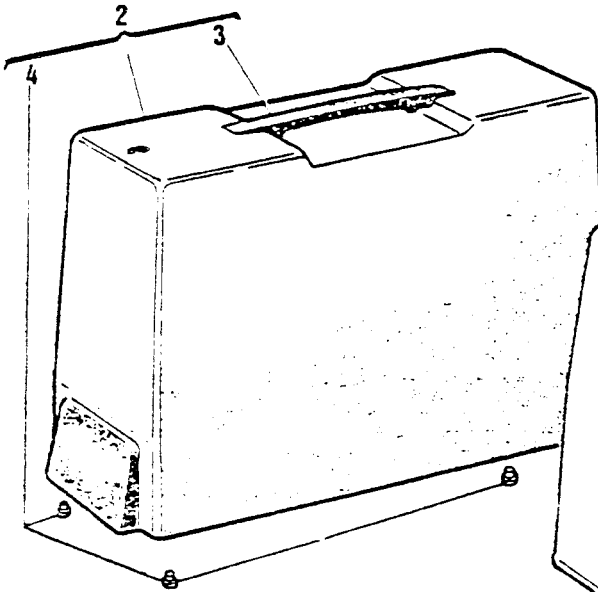
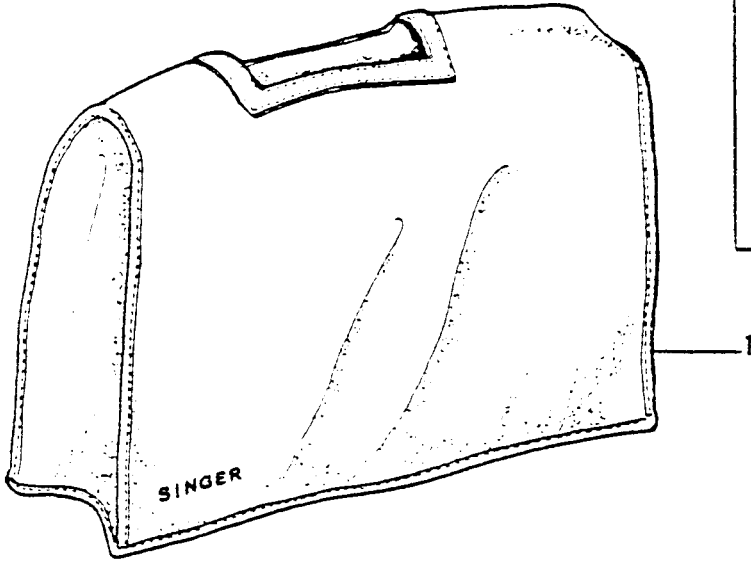
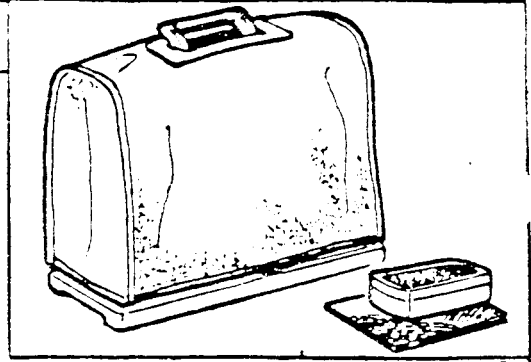
Z. N. II	PART. N.	7184	7174	7186	7146	7136	7110	7105	7102	7101	7108	PART DESCRIPTION
1	422405-451				X	X	X	X				Attachment set cpl.
2	422405-453								X			Attachment set cpl.
3	422405-454									X		Attachment set cpl.
4	422405-456										X	Attachment set cpl.
5	422405-457			X								Attachment set cpl.
6	422405-458		X									Attachment set cpl.
7	422405-459	X										Attachment set cpl.
8	421742-451	X	X	X	X	X	X	X	X	X	X	Attachment box
9	421743-451	X	X	X	X	X	X	X	X	X	X	Attachment box cover
9a	421744-451	X	X	X	X	X	X	X	X	X	X	Attachment box case
10	172336	X	X	X	X	X	X	X	X	X	X	Bobbin (transparent plastic) (2)
11	381275			X	X	X	X	X				Needle pack (plastic) Containing: cat. 2020, size 14 and 16 cat. 2045, size 14 and 11 cat. 2025, size 14
12	103489	X	X						X	X	X	Needle pack (plastic) Containing: cat. 2020, size 11, 14 and 16 cat. 2045, size 14 and 11
13	381213	X	X	X	X	X	X	X			X	Blindstich guide
14	311800	X	X	X	X	X	X	X	X	X	X	Spool pin adaptor
15	422250-451			X	X	X	X	X				Spool pin adaptor (for twin needle sewing)
16	8879-454	X	X	X	X	X	X	X	X	X	X	Spool pin felt
17	171498	X	X	X	X	X	X	X	X	X	X	Special purpose foot
18	161927	X	X	X	X	X	X	X			X	Snap - on buttonhole foot
19	507836	X	X	X	X	X	X	X	X	X	X	Snap - on zipper foot
20	381459	X			X	X	X	X				Snap - in feed cover plate
21	161894		X	X						X	X	Needle plate raising plate (shim)
22	276302										X	Disc No 2 - multi zig-zag
	276305										X	Disc No 5 - arrowhead
	276309										X	Disc No 9 - incicle
	276310										X	Disc No 10 - banner
	276312										X	Disc No 12 - walls of troy
	276313										X	Disc No 13 - diamond
	276314										X	Disc No 14 - zig-zag point
	276319										X	Disc No 19 - ball
	276331										X	Disc No 31 - crescent
	276332										X	Disc No 32 - blindstich (furnished in the machine but interchangeable with other Discs)
	276337										X	Disc No 37 - elastic stretch (alpine) stitch

23)-INSTRUCTION BOOK : Languages - Form N.

Model	Italian	English	German	French	Dutch	Danish	Finnish	Swedish	Spanish	English U. S.
7101	1010	1011	1012	1013	1014	1091	1091	1091		
7102	1020	1021	1022	1023	1024	1091	1091	1091		
7105	1050	1051	1052	1053	1054	1055	1056	1057		
7108	1090	1090	1090						1087	
7110	1030	1031	1032	1033	1034	1035	1038	1037		1002
7136	1070	1071	1072	1073	1074	1075	1076	1077		
7174/7184	1094	1094	1094	1096	1095	1097	1097	1097	1098	
7146/7186	1082	1082	1082	1089	1088	1086	1086	1086	1092	

6

7100 series



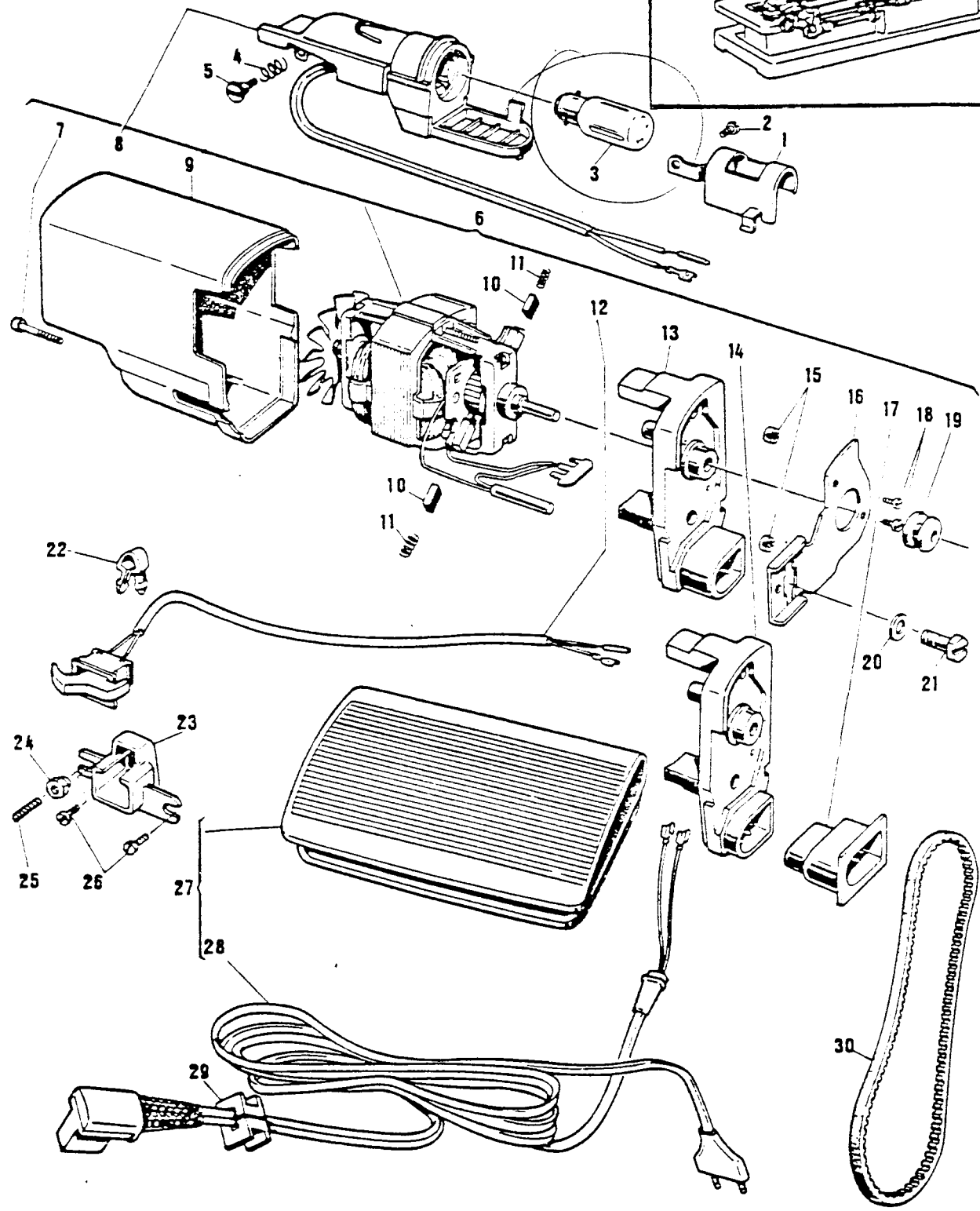
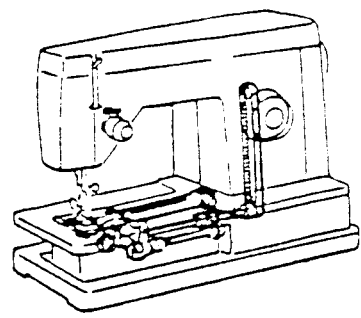
LIST OF PARTS FOR MACHINES 7100 SERIES

REF. N.	PART. N.	7184	7174	7186	7146	7136	7110	7105	7102	7101	7108	PART DESCRIPTION
1	422249-451	X	X	X	X	X	X	X	X	X	X	Soft cover
2	148817	X			X	X	X	X	X			Carrying case cpl.
3 ●	148811-004	X			X	X	X	X	X			Carrying case handle
4 ●	148815-451	X			X	X	X	X	X			Carrying case cushion (4)
5	148786-451		X	X						X	X	Machine cover
6	422479		X	X						X	X	Bed cover (bottom)
7	422490		X							X	X	Bed leg cushion
7a	352569			X								Bed leg cushion
8	139986		X	X						X	X	Screw (2)
9	422483			X								Screw (4)
9a	422483		X							X	X	Screw (2)
10	139909									X	X	Screw (2)
10a	354675		X									Screw (2)
11	141925		X	X						X	X	Machine hinge connection set: screw

● To be ordered directly from Bonnières

7

7100 series



From the library of: Diamond Needle Corp

LIST OF PARTS FOR MACHINES 7100 SERIES

REF. N.	PART. N.	7184	7174	7186	7146	7136	7110	7105	7102	7101	7108	PART DESCRIPTION
1	352624	X	X	X	X	X	X	X	X	X	X	Light shield
2	354050-451	X	X	X	X	X	X	X	X	X	X	Light shield screw
3	194120-015	X	X	X	X	X	X	X	X	X	X	Bulb - 120 V - 15 W
	194120-016	X	X	X	X	X	X	X	X	X	X	Bulb - 220 V - 15 W
	194120-017	X	X	X	X	X	X	X	X	X	X	Bulb - 240 V - 15 W
4	603987-001	X	X	X	X	X	X	X	X	X	X	Light bracket spring
5	603976-001	X	X	X	X	X	X	X	X	X	X	Light bracket screw
6	605079-040	X	X	X			X	X	X	X	X	Motor cpl. - 220 V
	605079-042	X	X	X			X	X	X	X	X	Motor cpl. - 240 V
	605079-047	X	X	X			X	X	X	X	X	Motor cpl. - 120 V (USA)
	605079-048	X	X	X			X	X	X	X	X	Motor cpl. - 120 V (CANADA)
	988138-011				X	X						Motor cpl. - 220 V
	988138-013				X	X						Motor cpl. - 240 V
	988138-019				X	X						Motor cpl. - 120 V (CANADA)
	988138-018				X	X						Motor cpl. - 120 (USA)
	604045-027		X	X						X	X	Motor cpl. - 220 V (treadle/electric model)
	604045-030		X	X						X	X	Motor cpl. - 240 V (treadle/electric model)
7	604016-001	X	X	X	X	X	X	X	X	X	X	Dust cover screw
8	605209-001	X	X	X			X	X	X	X	X	Light cpl. (CANADA)
	605209-021				X	X						Light cpl.
	605209-025				X	X						Light cpl. (USA)
	605209-026				X	X						Light cpl. (CANADA)
	605209-031	X	X	X			X	X	X	X	X	Light cpl.
	605209-034	X	X	X			X	X	X	X	X	Light cpl. (USA)
9	988136-001	X	X	X	X	X	X	X	X	X	X	Dust cover
10	619435-004	X	X	X	X	X	X	X	X	X	X	Brush (2)
11	619436-001	X	X	X	X	X	X	X	X	X	X	Brush spring (2)
12	603985-008	X	X	X			X	X	X	X	X	Switch cpl. (CANADA)
	603985-021				X	X						Switch cpl.
	603985-024				X	X						Switch cpl. (USA)
	603985-025				X	X						Switch cpl. (CANADA)
	603985-026	X	X	X			X	X	X	X	X	Switch cpl.
	603985-028	X	X	X			X	X	X	X	X	Switch cpl. (USA)
13	988140-001	X	X	X			X	X	X	X	X	End housing
	988140-002				X	X						End housing
14	604012		X	X						X	X	End housing (treadle/electric model)
15	603907-001	X	X	X	X	X	X	X	X	X	X	Nut (2)
16	604233-001	X	X	X	X	X	X	X	X	X	X	Mounting bracket
17	605074-001		X	X						X	X	Adaptor (treadle/electric model)
18	603956-001	X	X	X	X	X	X	X	X	X	X	Tapping screw (2)
19	988176-001	X	X	X	X	X	X	X	X	X	X	Pulley
20	604018-002	X	X	X	X	X	X	X	X	X	X	Washer
21	604020-001	X	X	X	X	X	X	X	X	X	X	Screw
22	352745	X	X	X	X	X	X	X	X	X	X	Clip
23	604102-001	X	X	X	X	X	X	X	X	X	X	Switch enclosure
24	514732-451	X			X	X	X	X	X			Nut
25	514731-451	X			X	X	X	X	X			Screw
26	352449	X			X	X	X	X	X			Screw (1)
	352449											Screw (2)
27	988274-051	X	X	X			X	X	X	X	X	Foot controller - 220 V
	988274-014	X	X	X			X	X	X	X	X	Foot controller - 120 V (CANADA)
	988274-055	X	X	X			X	X	X	X	X	Foot controller - 240 V
	988274-057	X	X	X			X	X	X	X	X	Foot controller - 240 (AUSTRALIA only)
	988274-012	X	X	X			X	X	X	X	X	Foot controller - 120 V (USA) 2362 095001
	988275-021				X	X						Foot controller - 220 V
	988275-024				X	X						Foot controller - 240 V
	988275-026				X	X						Foot controller - 240 V (AUSTRALIA only)
	988275-007				X	X						Foot controller - 120 V (USA)
	988275-009				X	X						Foot controller - 120 V (CANADA)
28	604874-017	X	X	X			X	X	X	X	X	Cord cpl. - 240 V
	604874-021	X	X	X			X	X	X	X	X	Cord cpl. - 120 V (USA)
	604874-024	X	X	X			X	X	X	X	X	Cord cpl. (AUSTRALIA only)
	604874-025	X	X	X			X	X	X	X	X	Cord cpl. - 220 V
	604874-023	X	X	X			X	X	X	X	X	Cord cpl. - 120 V (CANADA)
	604654-009				X	X						Cord cpl. - 240 V (AUSTRALIA) only
	604654-010				X	X						Cord cpl. - 220 V
	604654-011				X	X						Cord cpl. - 240 V
	604654-014				X	X						Cord cpl. - 120 V (USA)
	604654-016				X	X						Cord cpl. - 120 V (CANADA)
	352584		X	X						X	X	Grommet
	604136-009	X	X	X	X	X	X	X	X	X	X	Motor bell

• Parts to be ordered directly from Bonnières

From the library of: Diamond Needle Corp

MARKETING TERRITORIES (Territory Code)

A (105/115V - 220/240V.)

Aden
 Algeria
 Angola
 Bahrain
 Bangladesh
 Benin (Dahomey)
 Burma
 Burundi
 Cambodia
 Cameroons
 Cent. Africa Empire
 Chad
 Congo (Brazzaville)
 Egyptian Arab Republic
 Ethiopia
 Fiji Islands
 Gabon
 Gambia
 Ghana
 Guam
 Guinea
 Guyana
 High Volta
 Hong Kong
 India
 Indonesia
 Iran
 Iraq
 Ivory Coast
 Jordan
 Kenya
 Kuwait
 Laos
 La Reunion
 Lebanon
 Liberia
 Libya
 Malagasy Rep.
 Malawi
 Malaysia
 Mali
 Mauntania
 Mauritius
 Morocco
 Mozambique
 Niger Repub.
 Nigeria
 North Yemen
 Pakistan
 Rhodesia
 Saudi Arabia
 Senegal
 Sierra Leone
 Singapore
 South Korea
 South Yemen
 Sri Lanka
 Sudan
 Syria
 Taiwan
 Tangiers
 Tanzania
 Thailand

Togo
 Tunisia
 Uganda
 Upper Volta
 Vietnam
 Zaire (Kinshasa)
 Zambia

B (220V)

South Africa

C (220 or 240V)

New Zealand

D (240V)

Great Britain
 (England, Scotland, Wales).
 Malta

E (220V)

Netherlands

F (220V)

Austria
 Belgium
 Denmark
 Finland
 Greece
 Italy
 Switzerland
 W. Germany

G (120V)

United States

H (120V + 220V)

Argentina
 Bahamas
 Barbados
 Bermuda
 Bolivia
 Brazil
 British Honduras
 Canal Zone
 Chile
 Colombia
 Costa Rica
 Ecuador
 El Salvador
 French West Indies
 Guatemala
 Honduras Republic
 Jamaica
 Mexico
 Neth. Antilles

Nicaragua
 Panama
 Paraguay
 Peru
 Philippines
 Puerto Rico
 Surinam
 Trinidad & Tobago
 Venezuela
 Virgin Islands
 West Indies
 (Antigua, Dominica,
 Grenada, Montserrat,
 St. Christopher, Nevis
 Anguilla, St. Lucia,
 St. Vincent, St. Kitts)

J (127/220V)

Belgium bi-volt.
 W. Germany bi-volt

K (240V)

Australia

L (220V)

Norway

M (105V)

Japan

N (127/220V)

France bi-volt
 Non mandatory
 countries bi-volt.

O (120V)

Canada

P (220V)

Albania
 France
 Gibraltar
 Iceland
 Israel
 Yugoslavia
 Luxembourg
 Monaco
 Portugal
 Spain
 Turkey

Q (240V)

Cyprus

R (220V)

Sweden

S (220V)

Eire